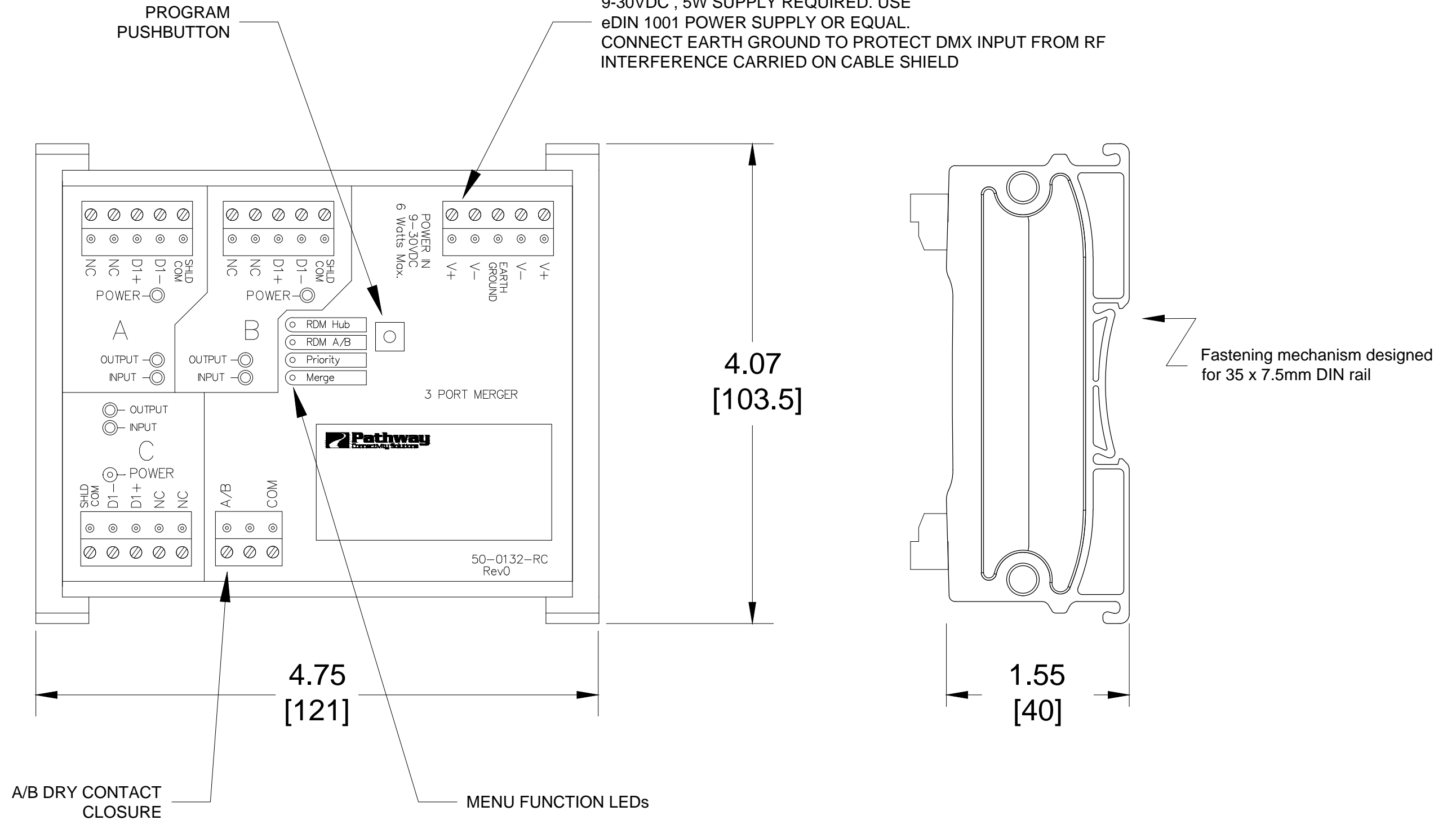


DMX CONNECTION LEGEND

DMX Signal	Pin
SHLD/COM	1
D1-	2
D1+	3
D2- N/C	4
D2+ N/C	5

POWER IN:
9-30VDC , 5W SUPPLY REQUIRED. USE
eDIN 1001 POWER SUPPLY OR EQUAL.
CONNECT EARTH GROUND TO PROTECT DMX INPUT FROM RF
INTERFERENCE CARRIED ON CABLE SHIELD



1017 - 3 Port Merger

FILENAME: 1017 3-Port Merger.dwg

PART NUMBER: 1017



Pathway Connectivity

103 Inglewood Plaza, 1439 17th Avenue SE
Calgary, Alberta, Canada T2G 1J9
Phone: +1(403)243-8110 Fax: +1(403)287-1281
<http://www.pathwayconnect.com>

DRAWN BY: BRIAN F. EVANS
DATE: 7/21/2017
CHECKED: ROBERT BELL
SCALE: NTS
UNITS: INCHES [mm]

REV

A