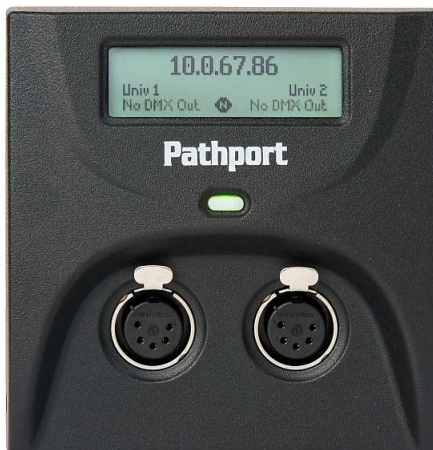


#6201/6202/6203

PATHPORT C-SERIES



PRODUCT OVERVIEW

The original and most popular Pathport™ node. Suitable for flush-mount, permanent installation, or for portable use.

FEATURES

- Two DMX512 ports, individually configurable
- DMX routing on a universe or channel-by-channel basis
- Multiple source merging or prioritizing
- DMX output speed and signal loss behavior user-set
- LCD display provides status feedback
- Power-over-Ethernet (PoE) or auxiliary 24VDC power supply (by others)
- E1.20 RDM compliant as proxy device
- Manage up to 128 RDM responders per port
- Fits standard 2-gang, deep backbox
- Surface mount or portable enclosures as accessories
- Elegant design suitable for any location
- Supports the following Ethernet protocols:
 - E1.31 Streaming ACN (sACN/Net3)
 - Strand Shownet
 - Pathport Protocol
 - Art-Net
 - ETC Net2 (output only)

SPECIFICATIONS

- Power-over-Ethernet Class 1 device - 4W maximum
- Operating Conditions: -10 to +50°C, 5-95% relative humidity, non-condensing

STANDARDS COMPLIANCE

- USITT DMX512 –1990 \ ANSI E1.11 DMX512-A R2013
- E1.20 RDM - Remote Device Management
- E1.31 sACN - streaming ACN
- IEEE 802.3af Power over Ethernet
- CE/ETL
- RoHS 2002/95/EC

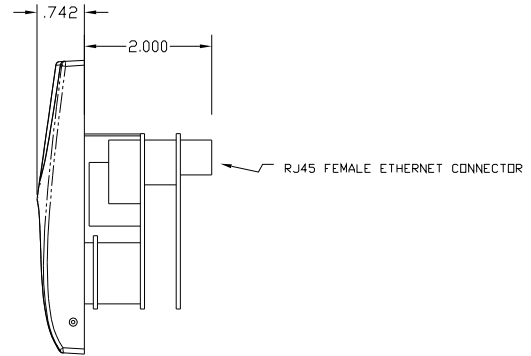
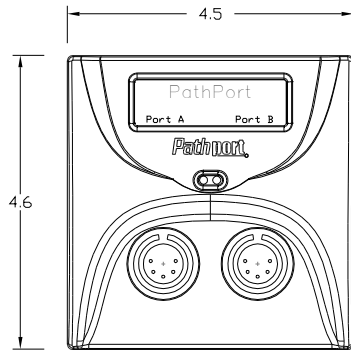
WEIGHTS AND DIMENSIONS

- 1 lb (0.45 kg)
- 4.5" w x 4.7" h x 2.75" d (115mm x 120mm x 70mm)

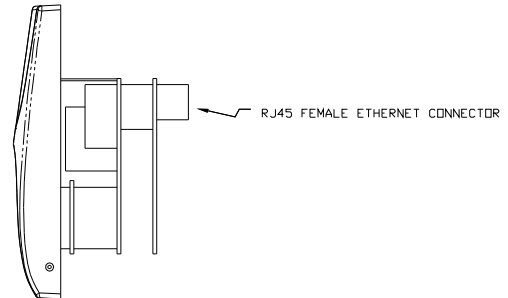
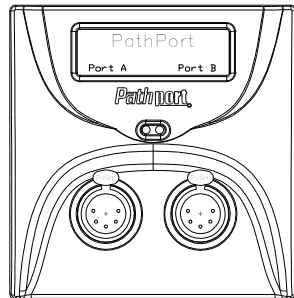
INCLUDED FURNISHINGS

- Installation/Operations manual
- Mounting ring for standard 2-gang backbox

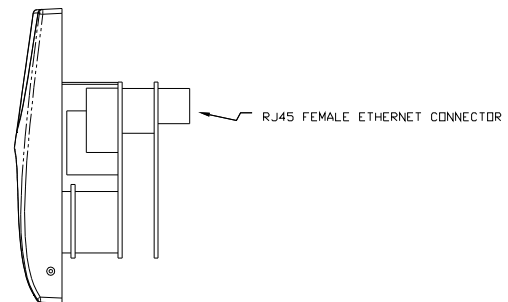
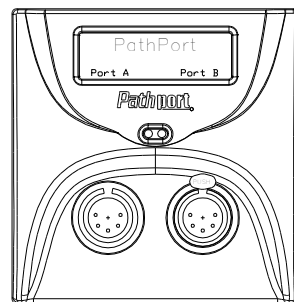
DIMENSIONS



MODEL 6201

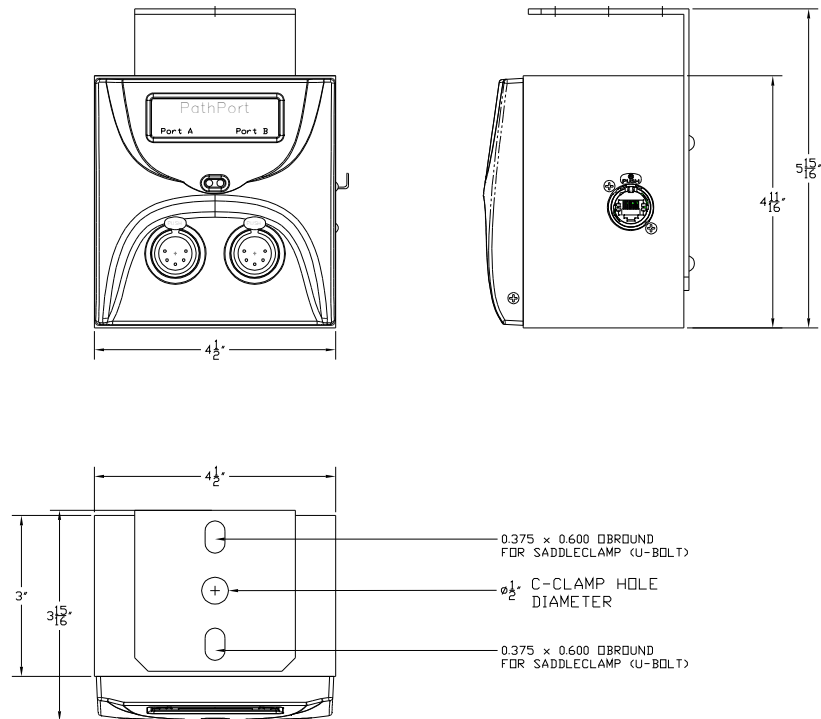


MODEL 6202

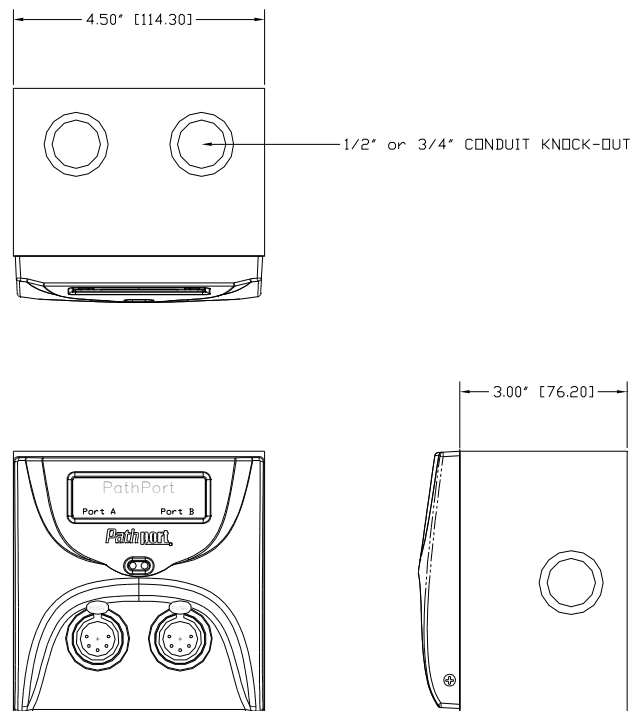


MODEL 6203

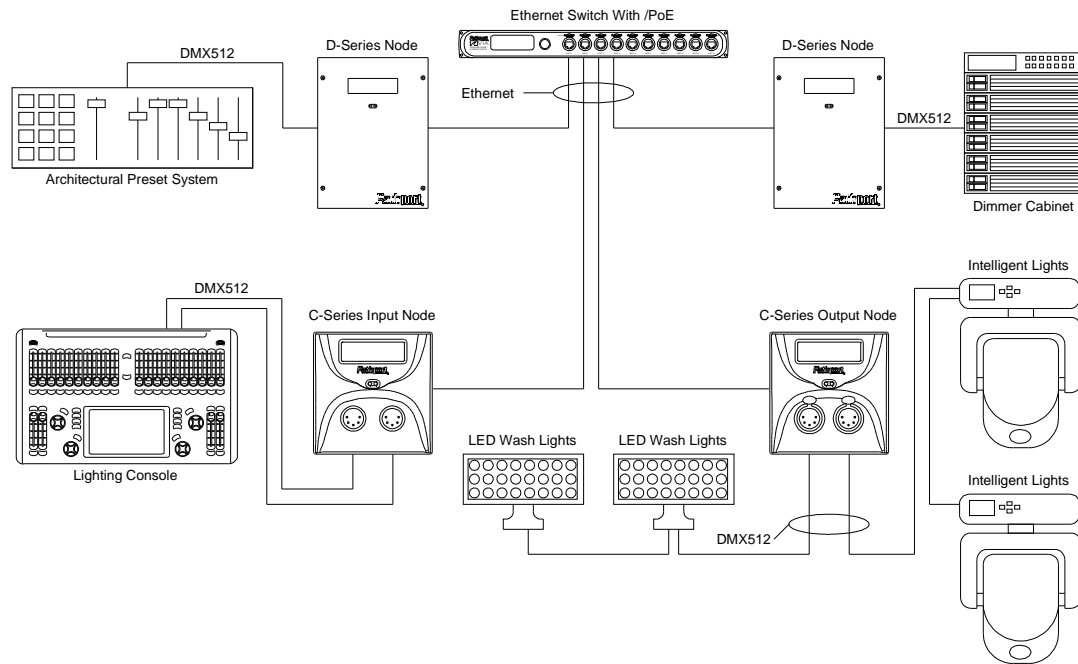
PORTABLE ENCLOSURE—P/N 6911



SURFACE MOUNT ENCLOSURE—P/N 6901



APPLICATION RISER



DMX512 PIN OUT

XLR PIN #	PURPOSE
1	Shield/COM
2	Data - (complement)
3	Data + (true)
4	Data - (pair 2 complement)
5	Data + (pair 2 true)

ORDERING INFORMATION

PART #	DESCRIPTION
6201	Pathport C-Series Node with 2 DMX Inputs
6202	Pathport C-Series Node with 2 DMX Outputs
6203	Pathport C-Series Node with 1 DMX Input and 1 DMX Output

ACCESSORIES

6901	Surface Mount Enclosure for C-Series nodes, comes with knockouts
6911	Portable Enclosure for C-Series nodes, comes with hanging bracket
6001	In-line Power-over-Ethernet Injector for Pathport nodes