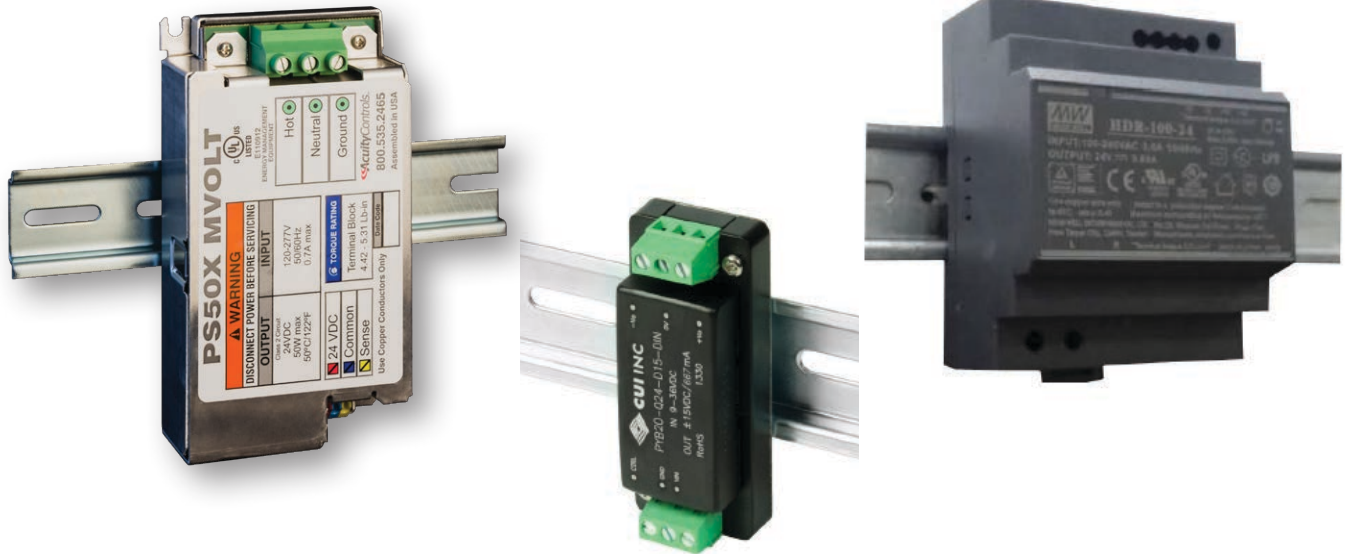


DIN-MOUNT POWER SUPPLIES FOR PERMANENT INSTALLS

eDIN POWER SUPPLIES



PRODUCT OVERVIEW

Pathway eDIN Power Supplies are offered in several voltages and wattages for various permanent install applications using NEMA1 enclosures.

FEATURES

- Designed for installation in NEMA1 enclosures
- 35mm DIN-rail mountable

SPECIFICATIONS

- Designed for permanent interior installation
- Operating Conditions: 32°F-118°F (0°C to 48°C); 10-90% relative humidity, non-condensing

1001-050-24-DIN

- 24VDC output, Class 2 Circuit
- 50 Watt maximum (0.7A max) power consumption
- 120-277VAC, 50-60Hz Input

1001-100-24-DIN

- 24VDC output
- 100 Watt maximum (4.2A max) power consumption
- 85-264VAC, 47-63Hz Input
- LED Indicator for Power On

1001-100-48-DIN

- 48VDC output
- 100 Watt maximum (2.1A max) power consumption
- 85-264VAC, 47-63Hz Input
- LED Indicator for Power On

1001-DC-10

- 48VDC to 24VDC DC-DC converter
- 24VDC Output
- LED Indicator
- 10 Watt maximum (0.4A max) power consumption

1001-DC-20

- 48VDC to 24VDC DC-DC converter
- 24VDC Output
- LED Indicator
- 20 Watt maximum (0.4A max) power consumption

STANDARDS COMPLIANCE

1001-050-24-DIN

- UL Listed
- Class 2 Low voltage

1001-100-24-DIN

- CE
- RoHS 2011/65/EU

1001-100-48-DIN

- CE
- RoHS 2011/65/EU

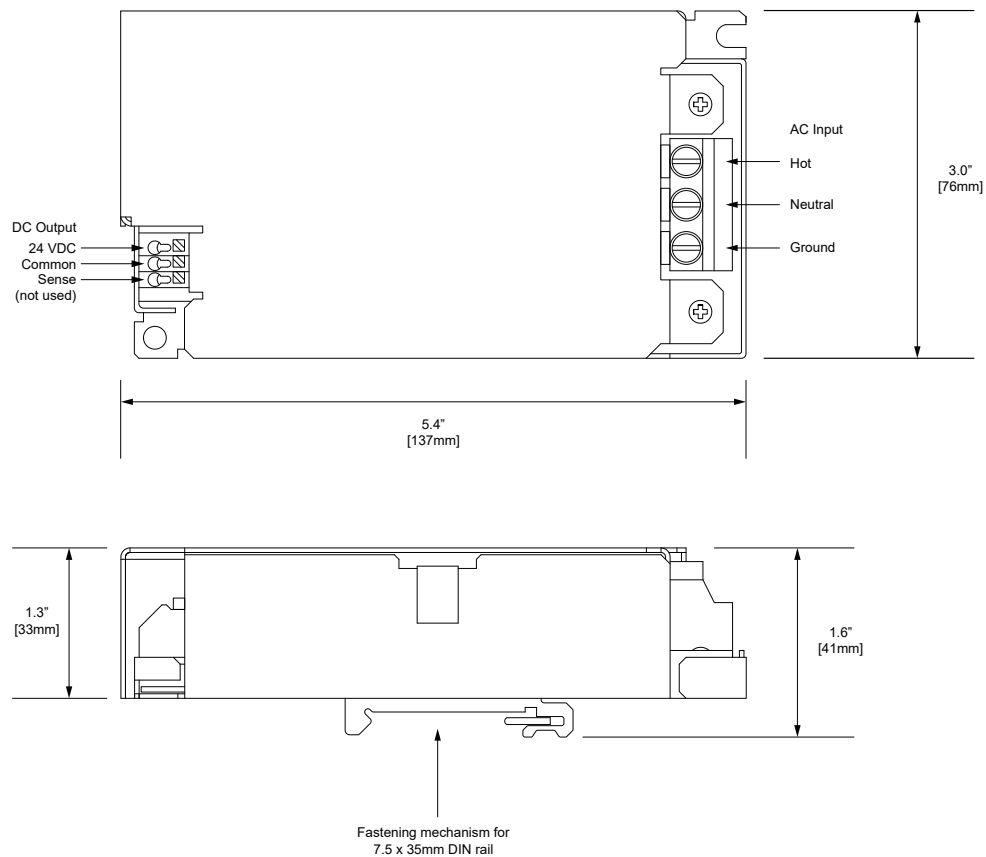
1001-DC-10 / 1001-DC-20

- RoHS 2011/65/EU

DIMENSIONS AND CONNECTIONS

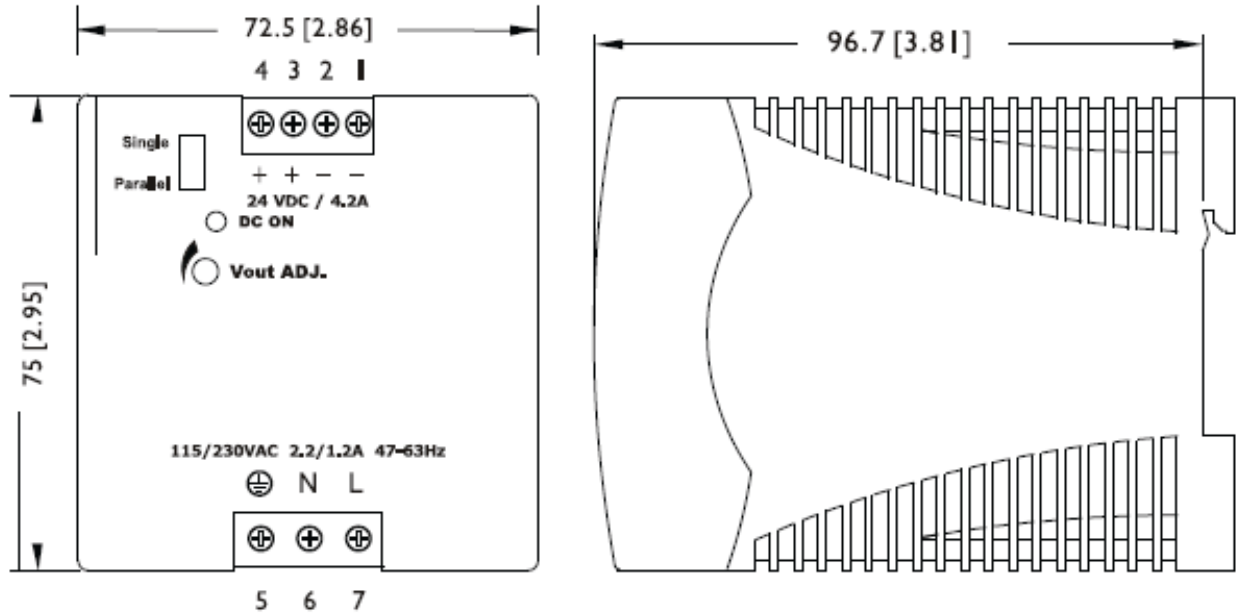
WEIGHTS AND DIMENSIONS	
<p>1001-050-24-DIN</p> <ul style="list-style-type: none"> • 0.66 lbs (0.3 kg) • 5.4"W x 3"H x 1.6"D (137mm x 76mm x 41mm) 	<p>1001-DC-10</p> <ul style="list-style-type: none"> • 0.14 lbs (0.064 kg) • 3"W x 1.25"H x 1"D (76mm x 31.5mm x 25.8mm)
<p>1001-100-24-DIN</p> <ul style="list-style-type: none"> • 0.86 lbs (0.39 kg) • 2.9"W x 3"H x 3.8"D (73mm x 75mm x 97mm) 	<p>1001-DC-20</p> <ul style="list-style-type: none"> • 0.154 lbs (0.070 kg) • 3"W x 1.25"H x 1"D (76mm x 31.5mm x 25.8mm)
<p>1001-100-48-DIN</p> <ul style="list-style-type: none"> • 0.6 lbs (0.27 kg) • 2.8"W x 3.6"H x 2.2"D (70mm x 90mm x 54.5mm) 	

1001-050-24-DIN

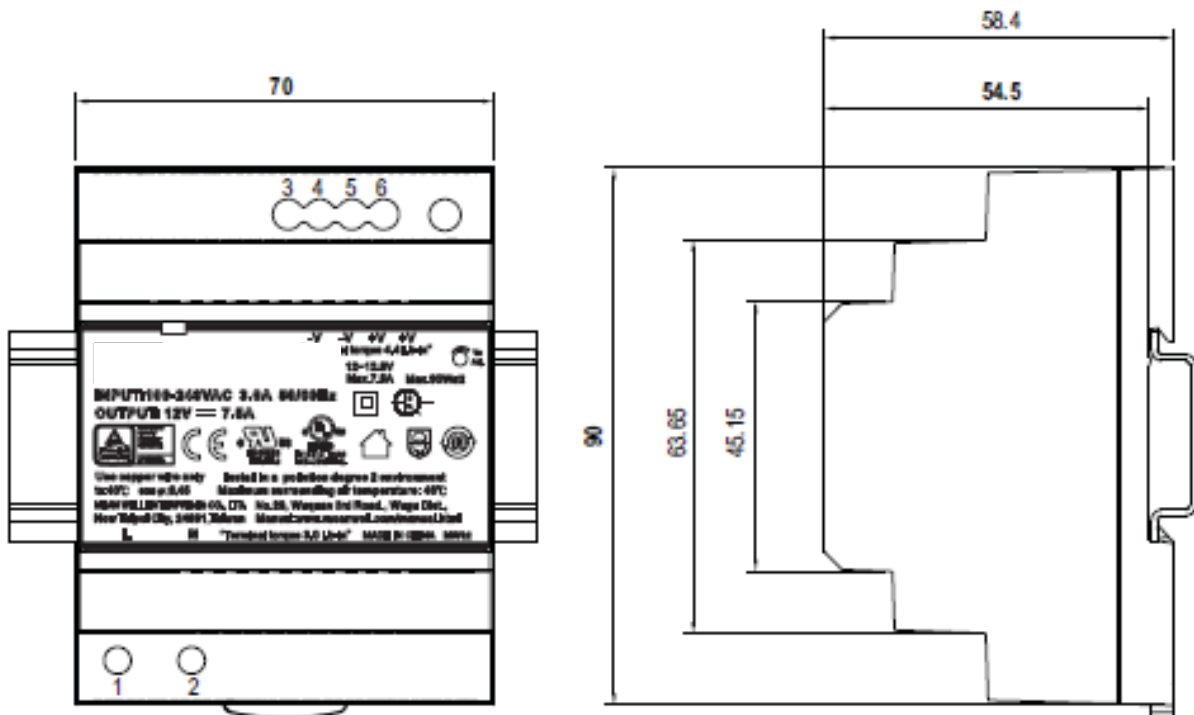


1001-100-24-DIN

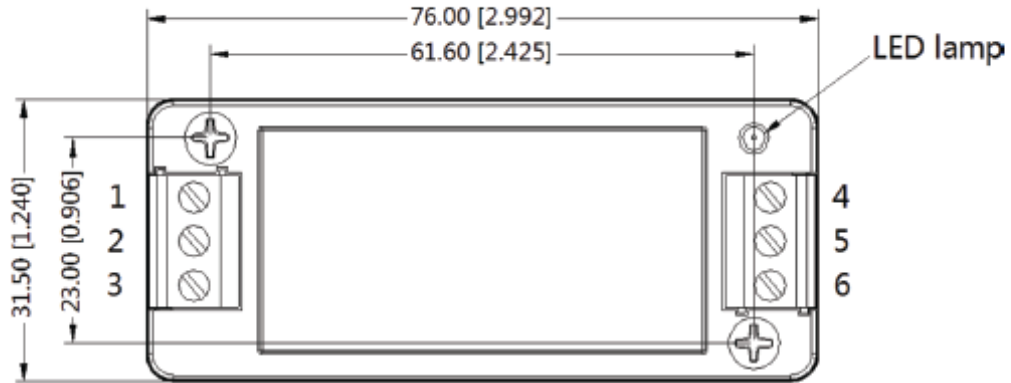
mm [inch]



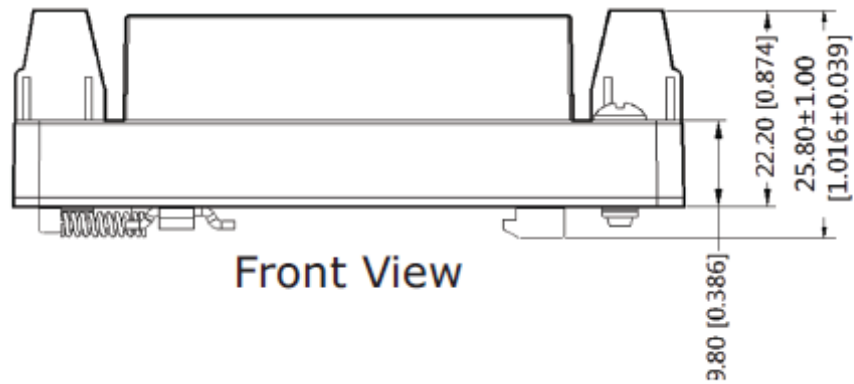
1001-100-48-DIN



1001-DC-10 / 1001-DC-20



Top View



Front View

ORDERING INFORMATION

PART #	DESCRIPTION
1001-050-24-DIN	50 Watt, 24VDC Power Supply, DIN-Mountable
1001-100-24-DIN	100 Watt, 24VDC Power Supply, DIN-Mountable
1001-100-48-DIN	100 Watt, 48VDC Power Supply, DIN-Mountable
1001-030-24-DIN	30 Watt, 24VDC Power Supply, DIN-Mountable [Only Available in Europe]
1001-060-48-DIN	60 Watt, 48VDC Power Supply, DIN-Mountable [Only Available in Europe]
1001-060-24-RM	60 Watt, 24VDC eDIN Rack Shelf Power Supply
1001-DC-10	48VDC to 24VDC Converter, 10 Watts, DIN-Mountable
1001-DC-20	48VDC to 24VDC Converter, 20 Watts, DIN-Mountable
ACCESSORIES	
1103	eDIN Rack Mount Panel, 2RU high, two 16.5" DIN Rail
1105	eDIN System Enclosure, 10" x 13" x 4.5" c/w One 9" Vertical DIN Rail
1106	eDIN System Enclosure, 10" x 23" x 4.5" c/w One 19" Vertical DIN Rail
1107	eDIN System Enclosure, 10" x 23" x 4.5" c/w Three 9" Horizontal DIN Rail
1108	eDIN System Enclosure, 10" x 13" x 4.5" c/w Two 9" Horizontal DIN Rail
1109	Expanded eDIN System Enclosure 18.5" x 31.5" x 6.5" c/w Three 24" Vertical DIN Rail, One 18" DIN Rail in Class 1 Section, two 3-gang knockouts in removable door
2100-DIN	eDIN RJ45 Patch (Qty 4) (3.5" of rail for 4)