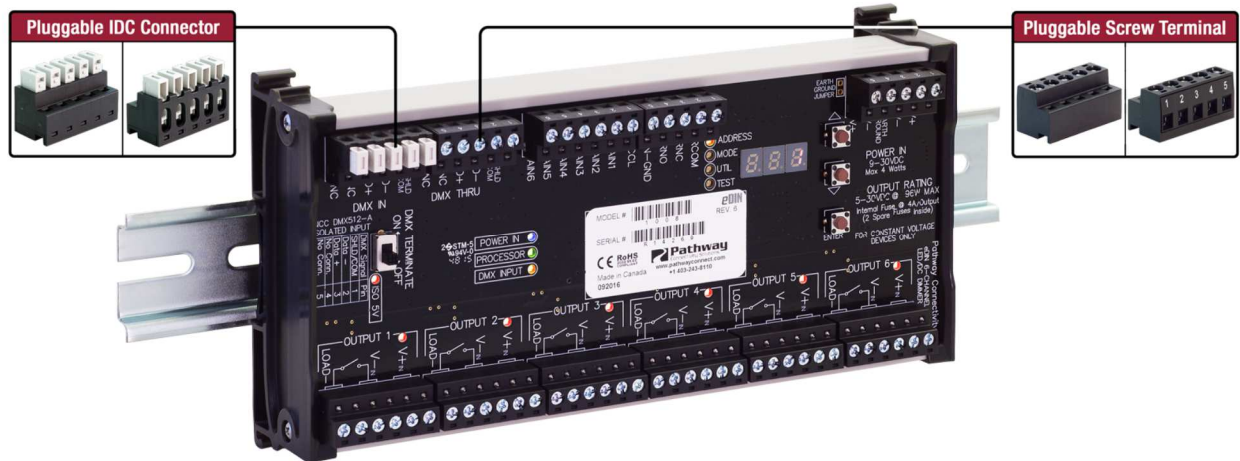


## eDIN CONSTANT VOLTAGE LED DIMMER/DC DEVICE DRIVER INTERFACE

# #1008



## PRODUCT OVERVIEW

The eDIN #1008 provides direct pulse-width modulation (PWM) control of common anode, constant voltage LED fixtures. Multiple modes, including 16-bit, ensure a smooth dimming curve. The module also provides efficient switching control of DC devices such as solid state relays and solenoids.

## FEATURES

- DMX512 start address and operating mode may be set from front panel interface or remotely using E1.20 RDM
- Controls constant voltage LED fixtures rated between 5 to 30 VDC
- Six PWM outputs, individually fused at 4A or 6A
- Two spare fuses included
- DMX512-present relay (normally open or normally closed)
- Contact closure 'panic' input drives all outputs to full
- Auxiliary source 0-10V analog inputs HTP-merged with DMX input
- Indicator LEDs for power, processor, DMX input, active output
- User-adjustable smoothing algorithm
- User-adjustable minimum and maximum output levels
- Multiple loss-of-signal options
- Pluggable screw terminal blocks for power analog and output connections
- Two sets of pluggable terminal blocks for all DMX512 connections to support both shielded twisted pair and CAT5/6
- One DMX512/RDM data input connection
- One passive DMX512 data thru connection
- Data and power easily daisy-chained between modules
- Termination switch
- User-initiated diagnostics and test modes
- Firmware field-upgradable using RDM (requires Pathway Pathport node and RDM utility program)

## SPECIFICATIONS

- Output Options: 4A or 6A
- 1500V opto-isolation between input and output ports
- 250V fault protection on input and output ports
- Input operating voltage: 9-30 VDC
- 5W power consumption
- Operating conditions: 14°F-118°F (-10°C to 48°C); 10-90% relative humidity, non-condensing

## STANDARDS COMPLIANCE

- ANSI E1.11 DMX512-A(2008)/USITT DMX512(1990)
- ANSI E1.20 RDM(2010)- Remote Device Management
- RoHS 2002/95/EC
- Class 2 Low Voltage

## WEIGHTS AND DIMENSIONS

- 0.70 lbs (0.316 kg)
- 8"W x 4"H x 1.5"H (200mm x 103mm x 38mm)

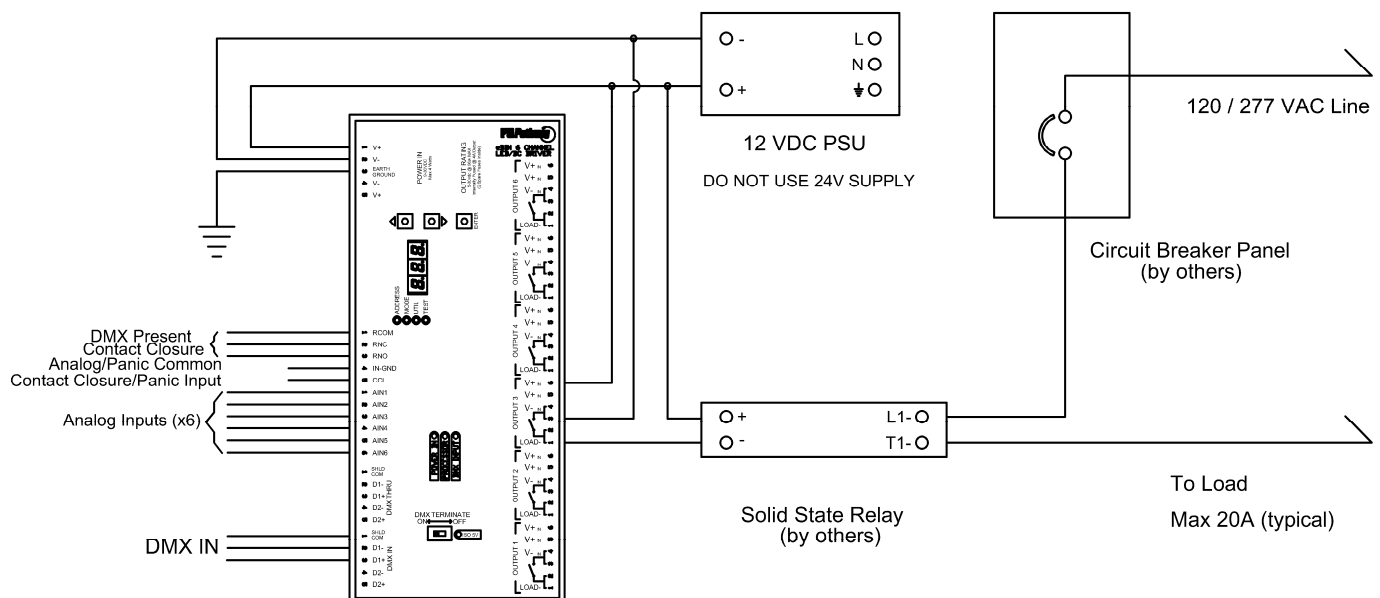
## INCLUDED FURNISHINGS

- DIN tray (housing) with end caps
- 11" (280mm) x 35mm DIN rail
- Installation/Operations manual

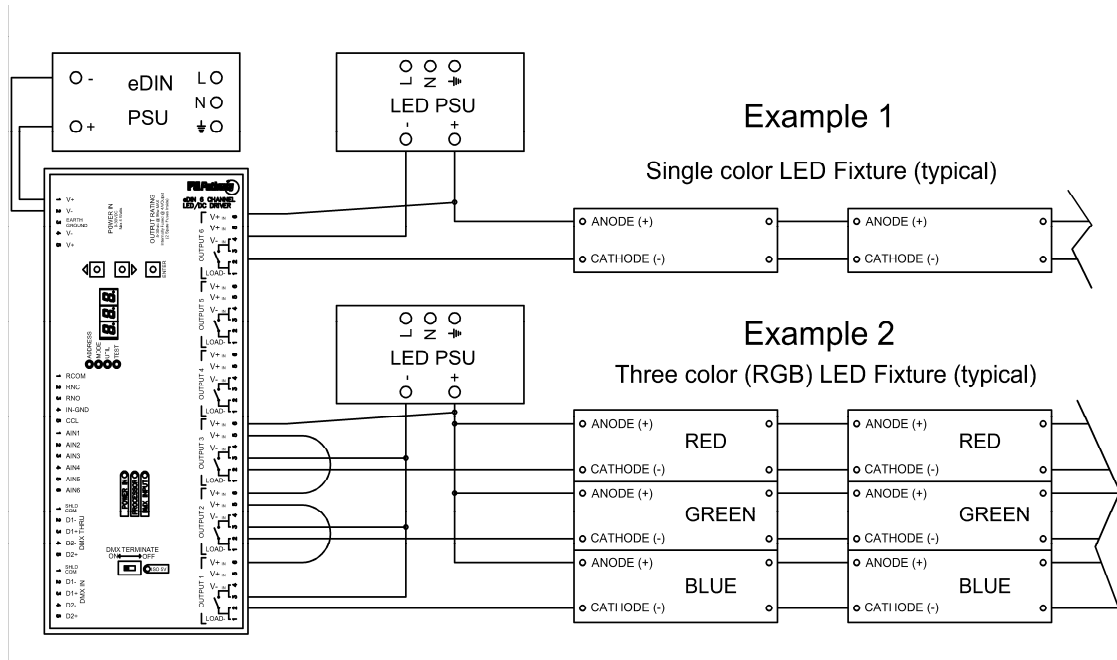
## OPERATING MODES

- Mode 1 : Default LED Control (6 channels) -**  
 Incoming DMX value is interpolated to create a 16-bit value. A weighted fade curve is applied to the output to compensate for LED response, producing an apparently linear fade to the human eye.
- Mode 2 : DMX Double Precision Mode with Curve (12 channels) -**  
 Two DMX control channels are used to produce a 16-bit value for each output. A weighted fade curve is applied to the output to produce an apparently linear fade to the human eye.
- Mode 3 : DMX Double Precision Mode without Curve (12 channels) -**  
 Two DMX control channels are used to produce a 16-bit value for each output. No compensating curve is applied. Output follows the DMX values linearly.
- Mode 4 : Non-Dim Mode -**  
 When the value of the corresponding DMX channel is below 50%, the associated output will be off. When the DMX channel is above 50%, the associated output will be on (full). A hysteresis zone of about 1% occurs at the 50% level, where the output's state is undetermined. Use this mode to drive non-dim loads such as solid state relays and solenoid coils.
- Mode 5 : Single Channel Control (1 channel) -**  
 One DMX channel (the start address) controls all six outputs simultaneously. A weighted fade curve is applied to the output to produce an apparently linear fade to the human eye.
- Mode 6 : Three Channel Mirror with Curve (3 channels) -**  
 Outputs are paired (1 and 4, 2 and 5, 3 and 6). Paired outputs are driven by the same DMX control channel. The DMX value is interpolated to create a 16-bit value. A weighted fade curve is applied to the output to produce an apparently linear fade to the human eye.
- Mode 7 : Three Channel Mirror without Curve (3 channels) -**  
 Outputs are paired (1 and 4, 2 and 5, 3 and 6). Paired outputs are driven by the same DMX control channel. The DMX value is interpolated to create a 16-bit value. No compensating curve is applied. Output follows the DMX value linearly.
- Util Mode Options:**  
 A: Adjusts the smoothing algorithm between 1 (very smooth) and 100 (no smoothing). Default is 64.  
 B: Adjusts a Grand Master maximum output level between 0 (off) and 256 (full—default).  
 C: Sets a minimum output level between 0 (default) and 255, that the card will always maintain, even in the absence of DMX.  
 D: Sets loss-of-DMX behavior. Options, as shown on the seven-segment screen, are “0” - zero seconds; “0.5” - thirty seconds; “1” -

## DC DEVICE DRIVER WIRING RISER



## LED WIRING RISER



**IMPORTANT:** Only use LED fixture manufacturer's approved power supply with LED fixture. This power supply is independent of the eDIN power supply. Follow the LED manufacturer's specifications for number of LED units per power supply, maximum distance and wire gauge. Do not exceed 96W per output on the #1008 interface. Use of the LED power supply (if sufficiently sized) to power the eDIN module is acceptable.

	XLR PIN #	PURPOSE
<b>DMX512/RDM PINOUT : FOR SHIELDED TWISTED PAIR</b>	1	Shield
	2	Data - (complement)
	3	Data + (true)
	4	Data - (pair 2 complement)
	5	Data + (pair 2 true)

	XLR PIN #	Cat5/6 Color and Pin #	PURPOSE
<b>DMX512/RDM PINOUT : FOR CAT 5/6</b>	3	1 - White/Orange	Data 1 + (true)
	2	2 - Orange	Data 1 - (complement)
	5	3 - White Green	Data 2 + (true)
	4	6 - Green	Data 2 - (complement)
	-	4 - Blue	Not used - do not connect
	-	5 - White Blue	Not used - do not connect
	1	7 - White/Brown	Shield/COM
	1	8 - Brown	Shield/Com

## ORDERING INFORMATION

PART #	DESCRIPTION
1008	eDIN Constant Voltage LED Dimmer/DC Device Driver Interface, 4A fuse per output
1008-6A	eDIN Constant Voltage LED Dimmer/DC Device Driver Interface, 6A fuse per output
ACCESSORIES	
1001-050-24-DIN	50 Watt, 24VDC Power Supply, eDIN
1103	Rack-mount panel Kit (2RU) with two 16.5" (420mm) sections of DIN rail
1105	Small eDIN System Enclosure (NEMA1) with 9.5" (240mm) of vertical DIN rail
1106	Large eDIN System Enclosure (NEMA1) with 19.5" (495mm) of vertical DIN rail
1107	Large eDIN System Enclosure (NEMA1) with three horizontal 9.5" (240mm) horizontal DIN rail
1108	Small eDIN System Enclosure (NEMA1) with two horizontal 9.5" (240mm) DIN rail
1109	Expanded eDIN System Enclosure (NEMA1) with three vertical 24" (610mm) DIN rail