

Job Name:	Catalog #:
Date:	Notes:

#6229

PATHPORT NFP



PRODUCT OVERVIEW

Pathway Connectivity's NFP (Network Fade Processor) generates reliable DMX512 output from Crestron and AMX control systems. The NFP calculates fades as necessary, removing all computational overhead from the controller while ensuring the proper DMX refresh is maintained. The NFP must be used in conjunction with at least one regular Pathport® DMX node.

FEATURES

- Control up to 1024 DMX channels, non-contiguous, from a range of 64 universes
- Multiple NFPs may reside on the same network
- Requires separate Pathport output node to provide DMX
- No limit to number of output nodes
- Simple command structure
- Compatible with any controller capable of sending ASCII text strings via UDP unicast (Crestron, AMX and most automation controllers)
- Handles all fade algorithms and maintains DMX refresh
- 1024 simultaneous fades possible
- Power-over-Ethernet or 24VDC operation

SPECIFICATIONS

- Power-over-Ethernet Class 1 device - 4W maximum
- Operating Conditions: -10 to +50°C, 5-95% relative humidity, non-condensing

STANDARDS COMPLIANCE

- IEEE 802.3af Power over Ethernet
- CE
- RoHS 2002/95/EC
- Class 2 Low Voltage

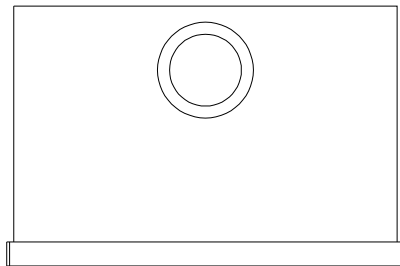
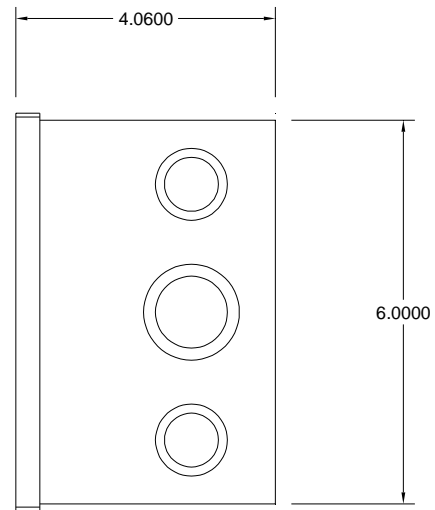
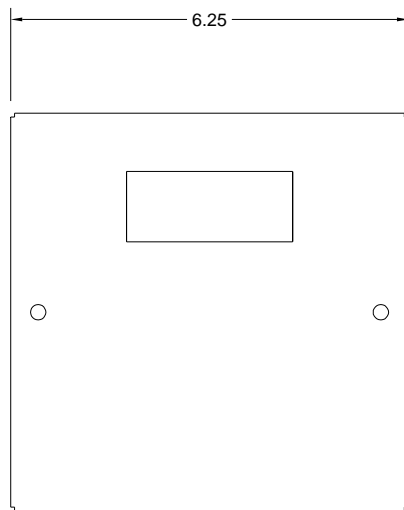
WEIGHTS AND DIMENSIONS

- 2.5 lb (1.12 kg)
- 6.25 x 6.25 x 4 in. (159 x 159 x 102 mm)

INCLUDED FURNISHINGS

- Installation/Operations manual
- 6" X 4" Utility backbox

DIMENSIONS

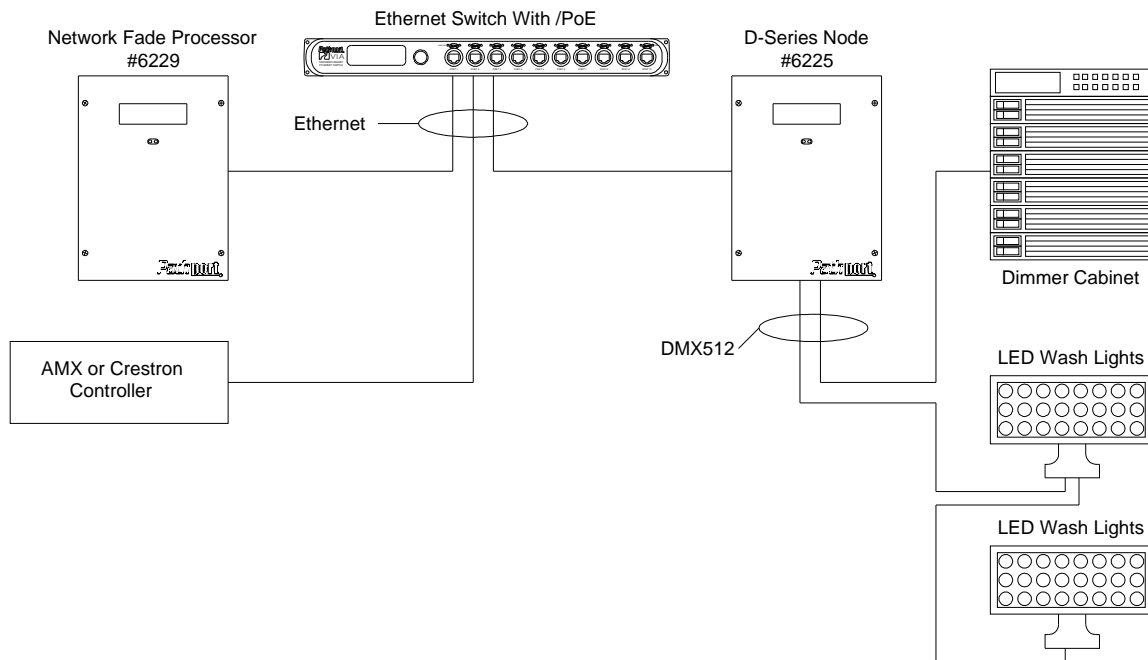


SYSTEM PHILOSOPHY

The automation controller sends a text string via UDP to port 3793 of the NFP (network fade processor). The NFP calculates the fade curve described by the command and generates corresponding Pathport Protocol xDMX data, containing the channel level information. The packets are broadcast back onto the network. Any Pathport node patched to those data channels will output the appropriate DMX levels to the end equipment.

The controller, NFP and output Pathport node are connected together using a standard Ethernet switch, such as the VIA10, in a star-wiring topology.

APPLICATION RISER



DMX512 PIN OUT

XLR PIN #	PURPOSE
1	Shield/COM
2	Data - (complement)
3	Data + (true)
4	Data - (pair 2 complement)
5	Data + (pair 2 true)

ORDERING INFORMATION

PART #	DESCRIPTION
6229	Pathway NFP