

COMPLETE SOLUTIONS FOR SEAMLESS INTEGRATION OF CONTROLS & CONTROLLABLE PRODUCTS



SCHOOLS



HOUSES OF WORSHIP



CONVENTION & MEETING SPACES



BLACKBOX THEATERS



COMMUNITY CENTERS



LOUNGES



THEMED RESTAURANT & RETAIL



PATHWAY CONNECTIVITY

PRODUCTS USED IN THESE APPLICATIONS MAY INCLUDE



COGNITO²

The theatrical controller that delivers up to four DMX512 universes using Task Oriented Navigation and Natural Language Control.



CHOREO

All the power of Cognito² and designed to fit a 3-gang wallbox, 19" equipment rack or tabletop console.



1016 eDIN 8-PORT RDM HUB

Brings flexibility to single universe DMX512 systems. Through the use of automatic source sensing, a roving controller can be detected on any port and routed to the remaining ports, either on a priority bases with another source, merged with it or select between the two with an A/B switch.



eDIN 1009

An essential building block in modern DMX512 distribution systems. Five bi-directional ports support E1.20 RDM responders and cascaded system layout.



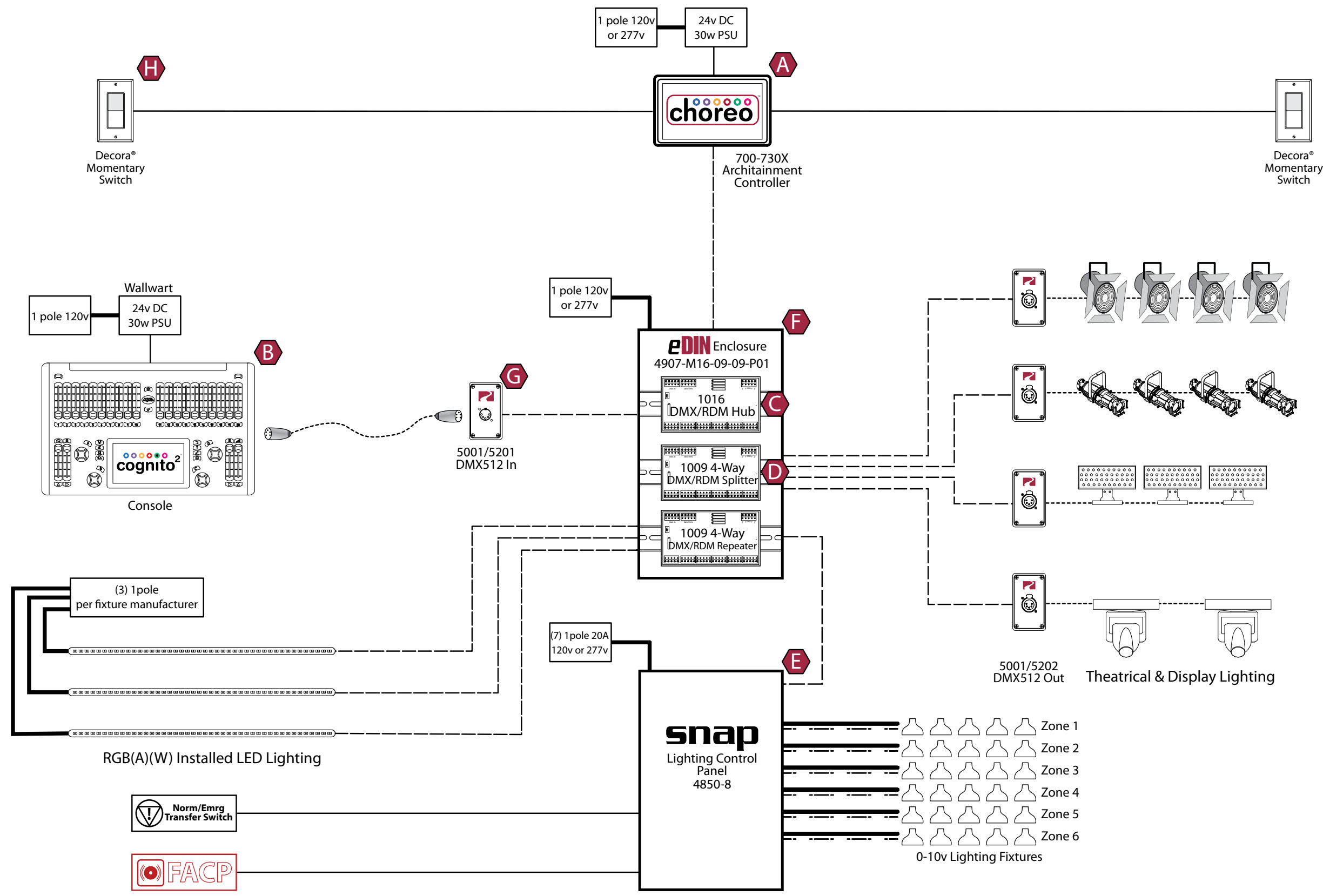
SNAP

An enclosure designed for today's modern general illumination lighting fixtures that require intelligent management of power and 0-10v control signal distribution.

SYSTEM APPLICATIONS NOTES

REFER TO ONE-LINE SCHEMATIC

- A** In this application, **Choreo** is performing several functions. First and foremost, Choreo is the master system processor where programming and playback can be performed manually or automatically if the time clock function is invoked. Choreo can be placed in to password-protected Wall Station Mode for the untrained users such as adjunct faculty, guest meeting planners and facilities personnel.
- B** **Cognito²** is the hands-on live-action lighting console for the venue. Multiple show files can be programmed and stored for regularly scheduled or special events. Note that Cognito² is also capable of sending and receiving show control I/O. Cognito² can be temporarily located in any space in the venue and used as the programming tool for show files to be stored in Choreo. Cognito² is designed for table top use or may be installed with an optional 19" equipment rack kit.
- C** The 8-port **eDIN 1016** DMX512/RDM Hub brings flexibility to single universe DMX512 distribution systems. Through the use of automatic DMX512 sensing across four operating modes: any port may detect a roving DMX source and act as an input; the user may remotely select between two inputs; a priority scheme may be invoked; or two inputs may be merged together. In this application, Cognito² has control priority over the Choreo. The 1016 can be daisy chained and is RDM discoverable and configurable. Discovery and configuration of RDM end devices through the card is supported in the Hub and selectable A/B input modes.
- D** The **eDIN 1009** card is a 4-port bidirectional DMX512/RDM Splitter. The THRU port supports a cascade of splitters to be installed in larger systems. Even when the current fixture schedule does not include E1.20 RDM responders, it is good design practice to use the 1009 card as the standard splitter because each port is fully isolated and future system upgrades could incorporate E1.20 RDM responders.
- E** The **SNAP Lighting Control Panel** manages DMX512 control of single-pole line-voltage relays and control channels that source or sink 10VDC. Listed for UL924 applications, SNAP features a fully flexible soft patch. Two contact closure inputs (one momentary and one maintained) provide a means for loads wired to selected relays and 0-10VDC dimmers to be brought to full intensity when triggered by either an alarm system or a Normal/Emergency power transfer switch.
- F** Small and compact, **eDIN System Enclosures** enable systems to be built in bespoke configurations using any of the 35mm DIN-mount devices manufactured by Pathway Connectivity. In this application, controllers' inputs are managed on an automatic priority basis by the 1016 card and lighting control data is repeated for distribution throughout the venue and the need for bulky 19" equipment racks is eliminated.
- G** Pathway Connectivity manufactures a complete line of **Modular Data Receptacles** used to connect plug-and-play devices to the system infrastructure. It is another way that we provide single-manufacturer accountability for everything from the controller, to the Ethernet switch, to the remote stations, to the gateways, and even including the simple wall plates.
- H** Choreo (and Cognito² for that matter) has 3 Contact Closure Inputs that when triggered can cause Recorded Memories and Actions to be played. In this application, two single pole, single throw switches are used as simple "Entry Stations" to be located at doors to the space. Any user of the space may enter and trigger the "walk-in" Memory which can include commands to relays, lighting levels and even LED effects. During the event or at certain times of day, the entry stations may be locked out to prevent unauthorized use. Even a simple every day device can be used to generate powerful system performance.



Switched Loads (CLASS 1) with
 0>10VDC Analog controls (CLASS 2)
 KEEP CLASS 1 AND CLASS 2 WIRING SEPARATE
 PER APPLICABLE CODES AND STANDARDS

Wire Key

- Line Voltage
- - - Belden 5320FL
- 2 x #18
- - - Belden 1583A
- - - - - DMX512 Jumper

Client _____

Job _____

Date _____





A pioneer in entertainment lighting, Pathway Connectivity is renowned for solid, easy-to-use equipment with comprehensive, robust features.

Our reputation for innovation and reliability is based on over thirty years commitment to enhancing the functions and interoperability of lighting systems around the world.

For demonstration and training videos, visit our Pathway Connectivity YouTube Channel at www.youtube.com/pathwayconnectivity

#103-1439 17 Avenue SE

Calgary AB Canada T2G 1J9

T 403.243.8110

F 403.287.1281

pathwayconnect.com