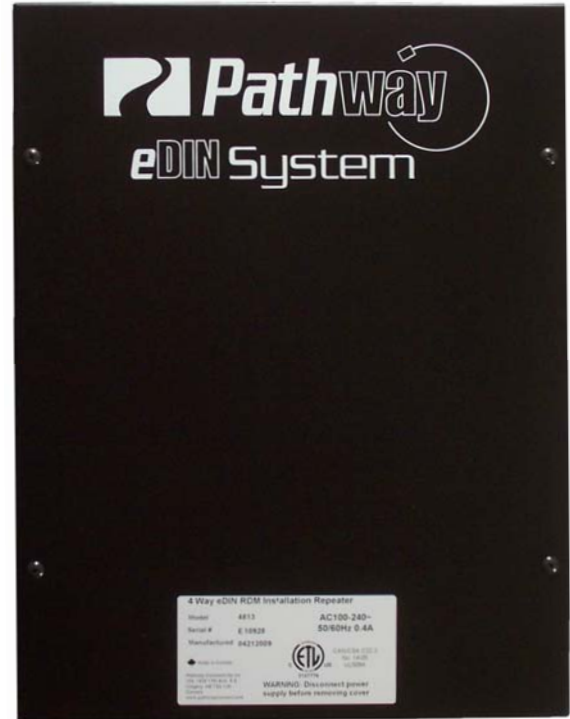


EDIN #4813/4814/4815

DMX/RDM INSTALLATION REPEATER



Model
4813
shown



PRODUCT OVERVIEW

RDM-enabled opto-splitters in NEMA1 assemblies, for permanent installation. Complete with conduit knockouts and terminal strip connections for fast, easy installation.

SPECIFICATIONS

- 2500V opto-isolation between input and output ports
- 250V fault protection on input and output ports
- 6W power consumption per installed card
- Operating conditions: 0-40°C; 10-90% relative humidity, non-condensing

FEATURES

- Internally pre-configured and pre-wired, ready for installation
- Four, eight or twelve output models
- Up to three inputs, or daisy-chain a single source
- Removable terminal strip connectors
- No fuses—data links self-reset after overcurrent removed
- Wide range power supply
- Power, processor and DMX/RDM activity LEDs
- Per-port ISO 5V and RDM activity LED indicator

STANDARDS COMPLIANCE

- ANSI E1.11 DMX512-A
- ANSI E1.20 RDM (Remote Device Management)
- CE
- RoHS 2002/95/EC
- ETL-listed

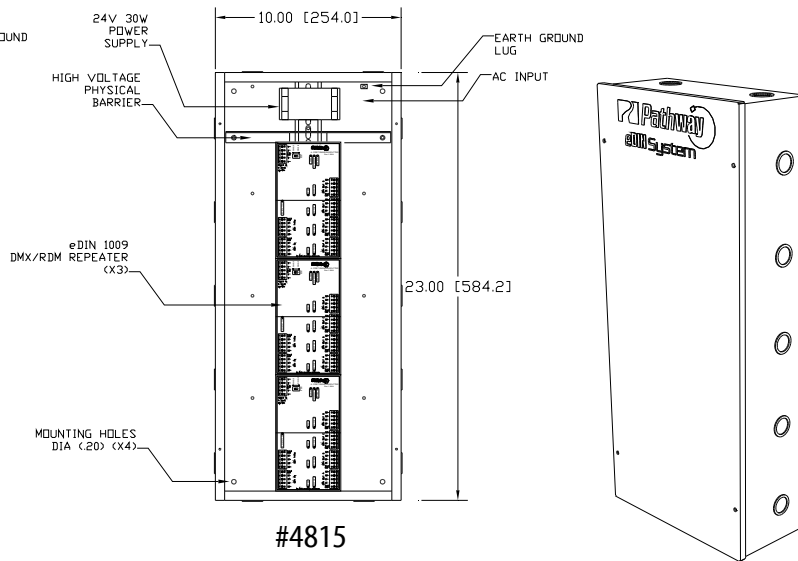
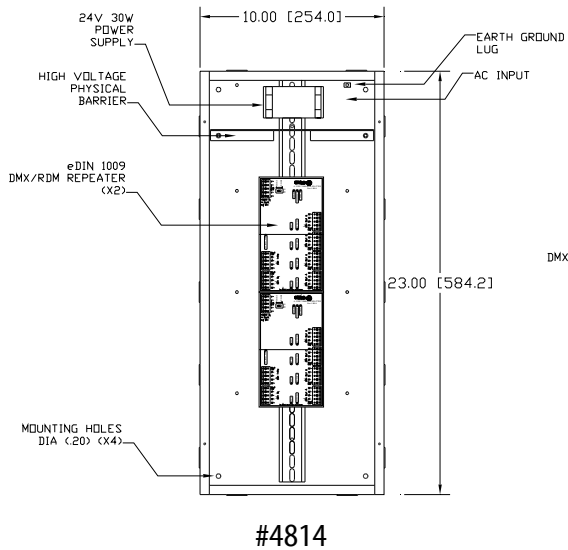
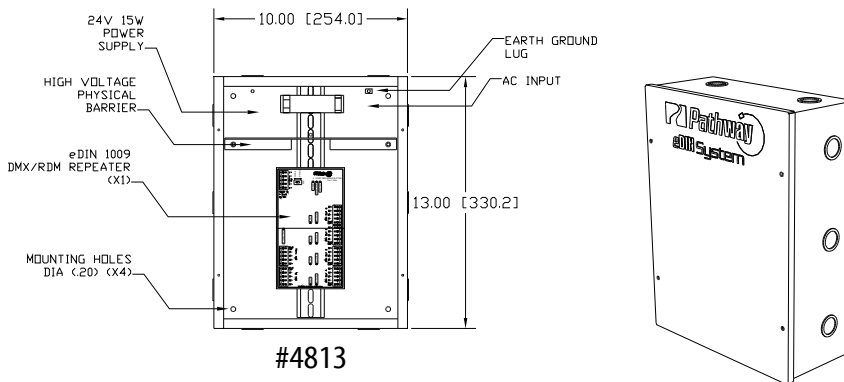
WEIGHTS AND DIMENSIONS

- 4813: 10.25" x 13.25" x 4.5" (260mm x 335mm x 120mm)
9.3 lb shipping weight (4.25 kg)
- 4814: 10.25" x 23.25" x 4.5" (260mm x 590mm x 120mm)
14.3 lb shipping weight (6.5 kg)
- 4815: 10.25" x 23.25" x 4.5" (260mm x 590mm x 120mm)
14.3 lb shipping weight (6.5 kg)

INCLUDED FURNISHINGS

- Installation/Operations manual

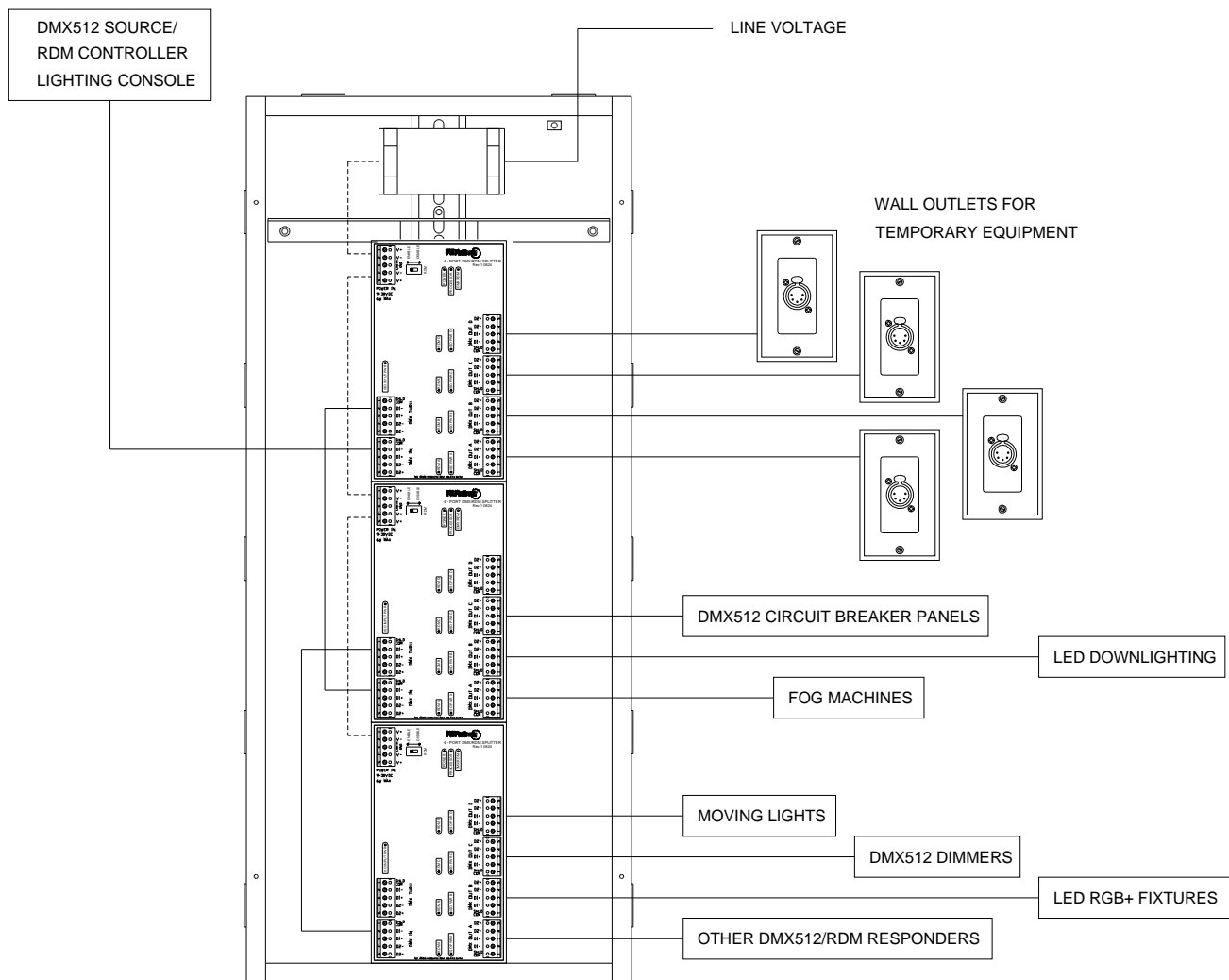
DIMENSIONS



DMX512/RDM PIN OUT

XLR PIN #	PURPOSE
1	Shield
2	Data - (complement)
3	Data + (true)
4	Data - (pair 2 complement)
5	Data + (pair 2 true)

APPLICATION RISER



MODEL 4815 SHOWN

ORDERING INFORMATION

PART #	DESCRIPTION
4813	eDIN DMX/RDM Installation Repeater, 4-way
4814	eDIN DMX/RDM Installation Repeater, 8-way
4815	eDIN DMX/RDM Installation Repeater, 12-way