

VIA12 LC GIGABIT ETHERNET SWITCH

#6742



PRODUCT OVERVIEW

The 6742 VIA12 LC is a Gigabit Ethernet Switch designed specifically for lighting, sound and video signal routing in live entertainment applications. Unlike switches designed and marketed for office and communication applications, VIA12 LC ships as an unmanaged switch, pre-configured and optimized for entertainment use, with twelve etherCON® RJ45 copper ports and two opticalCON® DUO locking connectors for multi-mode fiber.

When needed, VLAN's EAPS and other Layer 2 and 3 management features are enabled and configured through the front panel interface and the free, downloadable Pathscape tools.

FEATURES

- Trap Art-Net and convert it to sACN
- Features include IGMP querier and snooping, DHCP server per VLAN, bandwidth monitor, Dante-compliant QoS option, EAPS, ring protection, Rapid Spanning Tree (RSTP)
- Thermostatically-controlled cooling fan
- Illuminated LCD display and rotary encoder for displaying and setting switch and port properties
- Global properties editable from front panel interface: IP Address, Subnet Mask, Default Gateway, VLAN configuration, Link speed, PoE allocation, DHCP pool, ring protection
- Properties displayed by front panel interface: Switch Name, Port Name, PoE usage, Serial Number, MAC address, firmware version, connected devices (LLDP compliant), link status and speed, bandwidth monitor
- Up to 15W of Power-over-Ethernet (PoE) may be allotted to each copper port
- By adding an auxiliary power supply, up to 180W of overall PoE (15W/port)
- EAPS - Ethernet Automatic Protection Switching (rapid ring failure detection and correction)
- Link Layer Discovery Protocol (LLDP)
- Twelve locking Ethercon RJ45 ports (ten on front panel, two on rear) support 10/100/1000Base-T speeds

- Two locking opticalCON ports on rear panel support multi-mode LC fiber optic lines
- Wide range input power supply with powerCON® In and Thru accommodates all countries' mains voltage and frequency
- 1 RU high housing with integral rack ears fits 19" rack
- Hardware supports PoE (with external power supply)

SPECIFICATIONS

- 100-240VAC wide-ranging power input
- powerCON AC Input and Through connectors
Note: Do not connect more than 6 VIA12 LC switches together on one AC input
- speakON® locking connector for 48VDC external PoE supply
- 10.75A max power consumption (with 10A max AC thru)
- Operating Conditions: 32°F-118°F (-10°C to 50°C); 10-90% relative humidity, non-condensing

STANDARDS COMPLIANCE

- IEEE 802.1AB Link Layer Discovery Protocol
- IEEE 802.3AF Power over Ethernet (with external supply)
- ETL
- RoHS 2002/95/EC

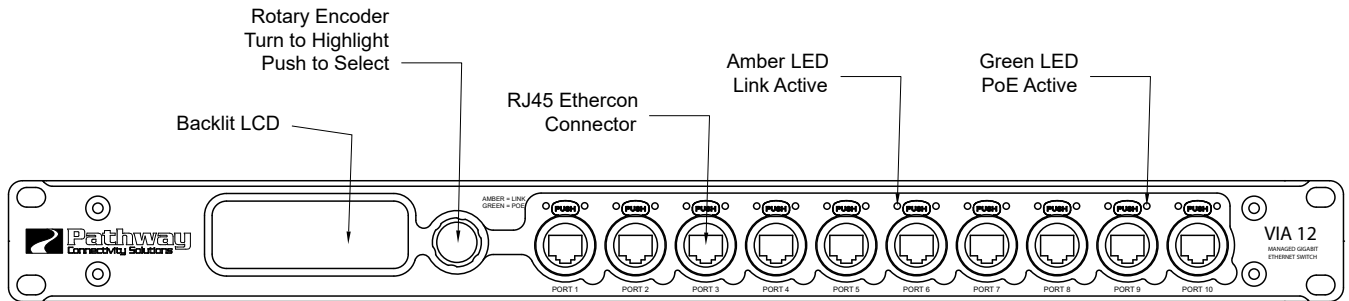
WEIGHTS AND DIMENSIONS

- 5.2 lbs (2.4 kg)
- 17"W x 1.7"H x 12"D (432mm x 43mm x 305mm)

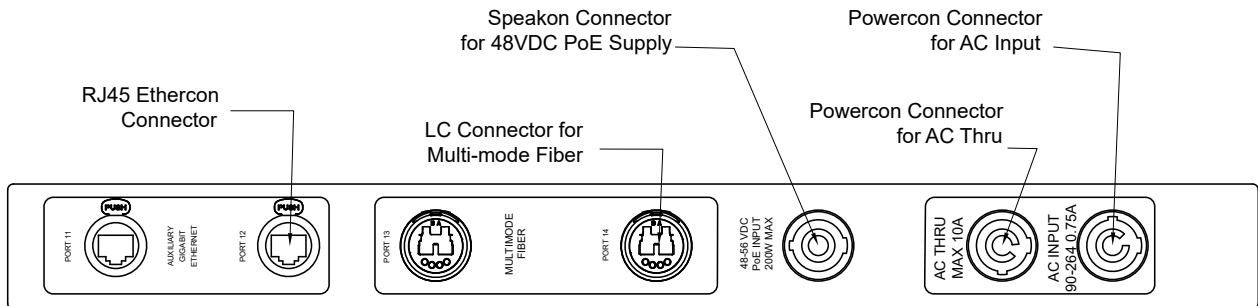
INCLUDED FURNISHINGS

- Installation/Operations manual

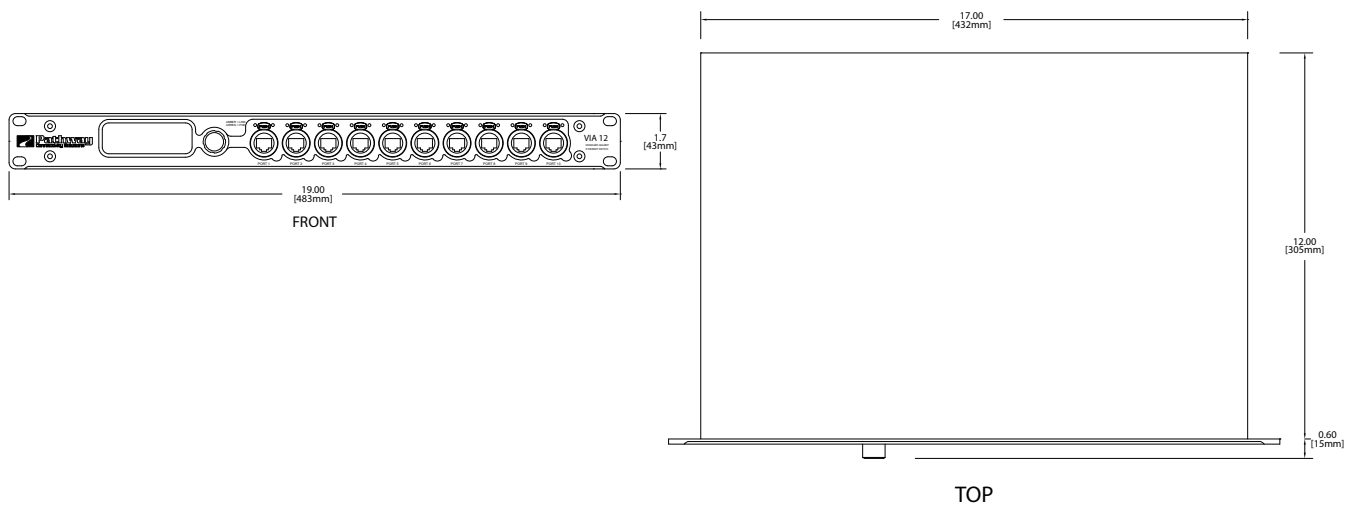
FRONT PANEL



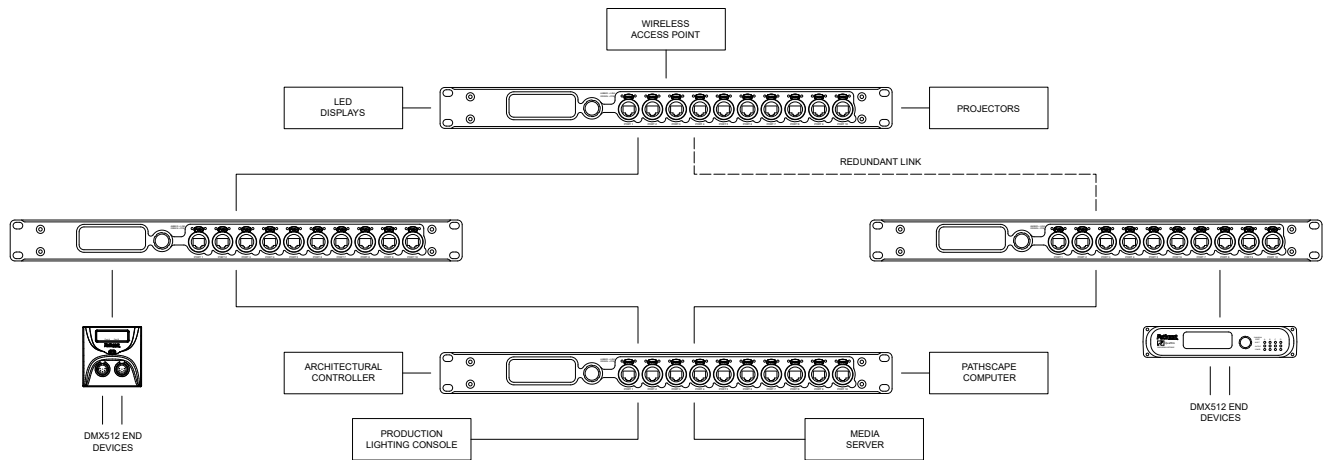
REAR PANEL



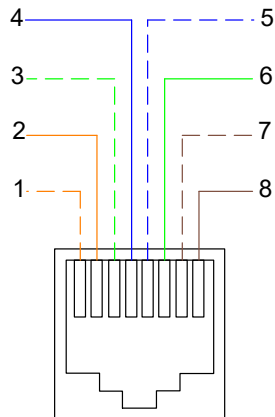
DIMENSIONS



APPLICATION RISER



CAT5/6 RJ45 PIN OUT



PIN	COLOR
1	WHT/ORG
2	ORANGE
3	WHT/GRN
4	BLUE
5	WHT/BLU
6	GREEN
7	WHT/BRN
8	BROWN

COMPLIES WITH TIA-EIA 568B

ORDERING INFORMATION

PART #	DESCRIPTION
6742	VIA12 LC Gigabit Ethernet Switch, 12 Port, opticalCON
ACCESSORIES	
1001-100-48-EXT-S	100W, 48VDC speakON External PoE Power Supply (VIA12)