

#6101BL/SS, 6102BL/SS, 6151, 6152

# PATHPORT UNO



6152



6102BL

## PRODUCT OVERVIEW

Pathport™ Uno is ideal for venues and applications where a simple, single DMX port is needed, in either flushmount or portable forms.

## FEATURES

- One DMX512 port, configurable
- DMX routing on a universe or channel-by-channel basis
- Multiple source merging or prioritizing
- DMX output speed and signal loss behavior user-set
- LED indicators for network and DMX status
- Power-over-Ethernet (PoE) or auxiliary 24VDC power supply (by others)
- E1.20 RDM compliant as proxy device
- Manage up to 128 RDM responders per port
- Fits standard single-gang, deep backbox
- Attractive single-gang faceplate included (6101/6102)
- Black or stainless steel finish (6101/6102)
- Surface mount enclosure as accessories
- Elegant design suitable for any location
- Supports the following Ethernet protocols:
  - E1.31 Streaming ACN (sACN/Net3)
  - Strand Shownet
  - Pathport Protocol
  - Art-Net
  - ETC Net2 (output only)

## SPECIFICATIONS

- Power-over-Ethernet Class 1 device - 4W maximum
- Operating Conditions: -10 to +50°C, 5-95% relative humidity, non-condensing

### STANDARDS COMPLIANCE

- USITT DMX512 –1990 \ ANSI E1.11 DMX512-A R2013
- E1.20 RDM - Remote Device Management
- E1.31 sACN - streaming ACN
- IEEE 802.3af Power over Ethernet
- CE/ETL
- RoHS 2002/95/EC

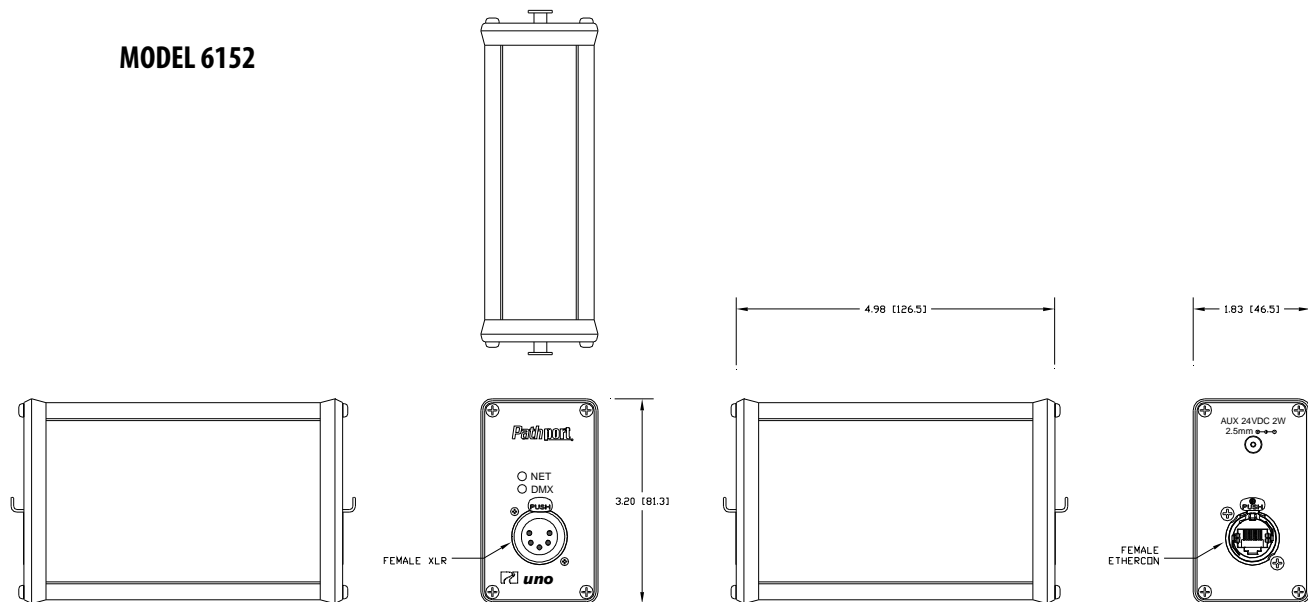
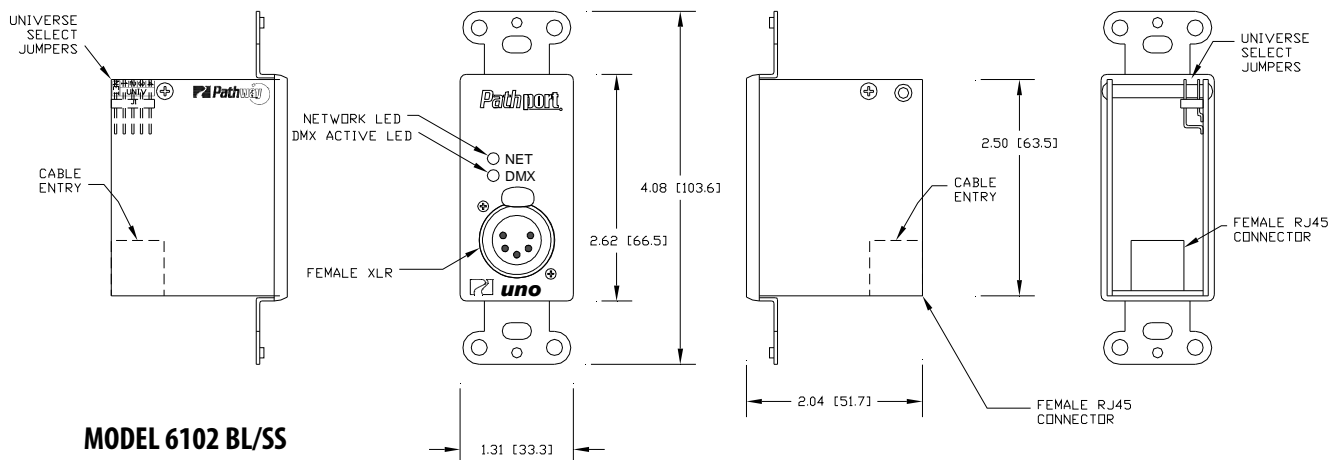
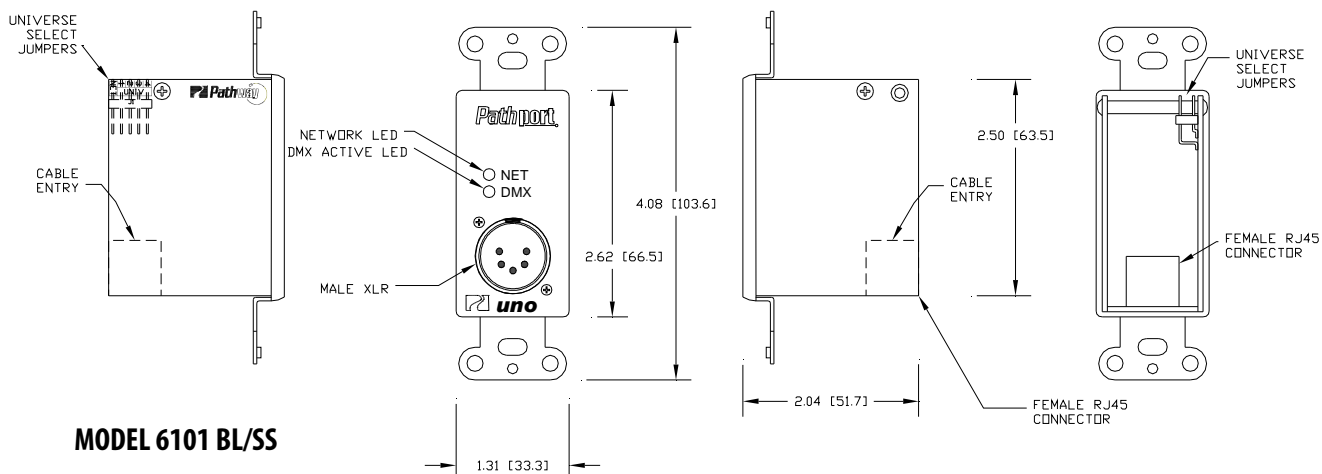
### WEIGHTS AND DIMENSIONS

- 1 lb (0.45 kg)
- 4.5" w x 4.7" h x 2.75" d ( 115mm x 120mm x 70mm)

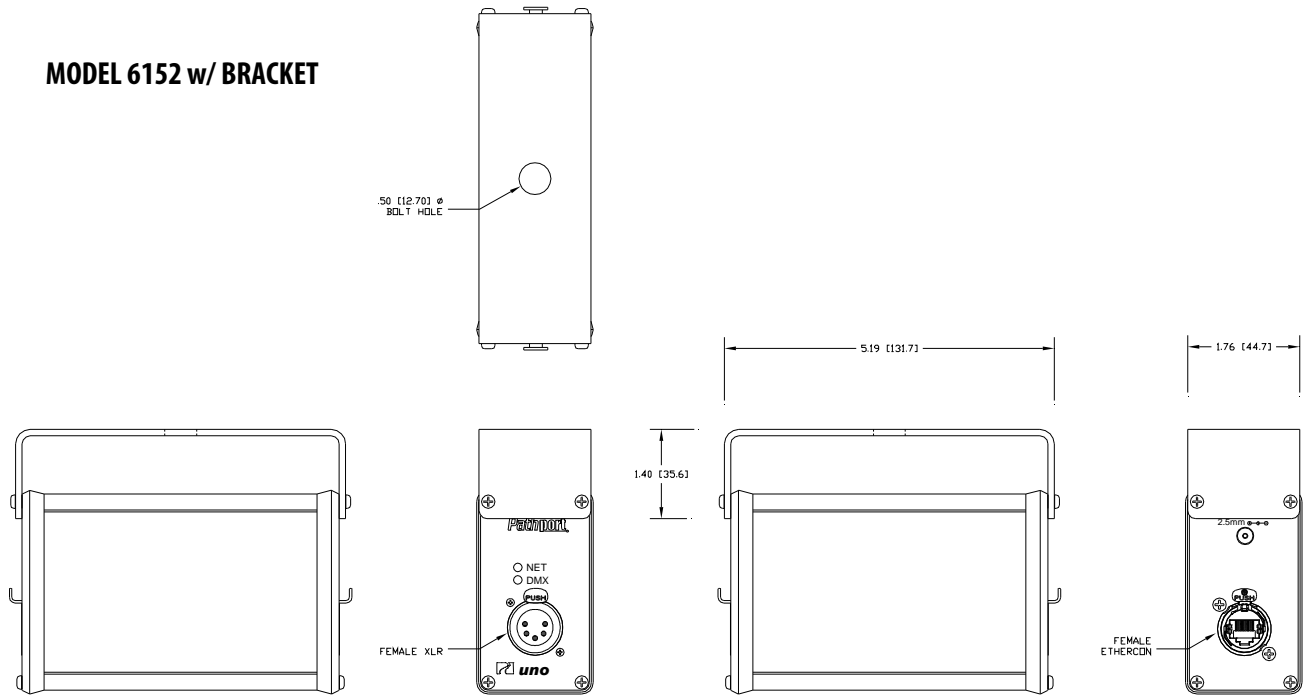
### INCLUDED FURNISHINGS

- Installation/Operations manual
- Single gang faceplate (6101/6102 models only)
- Hanging Bracket (6151/6152 portable models only)

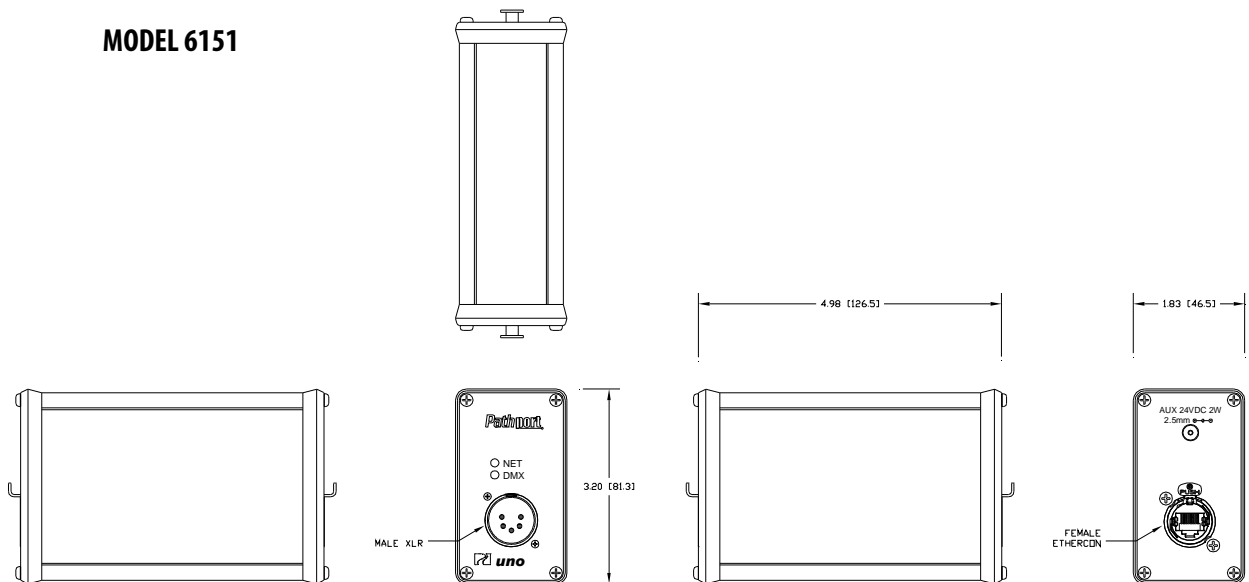
**DIMENSIONS**



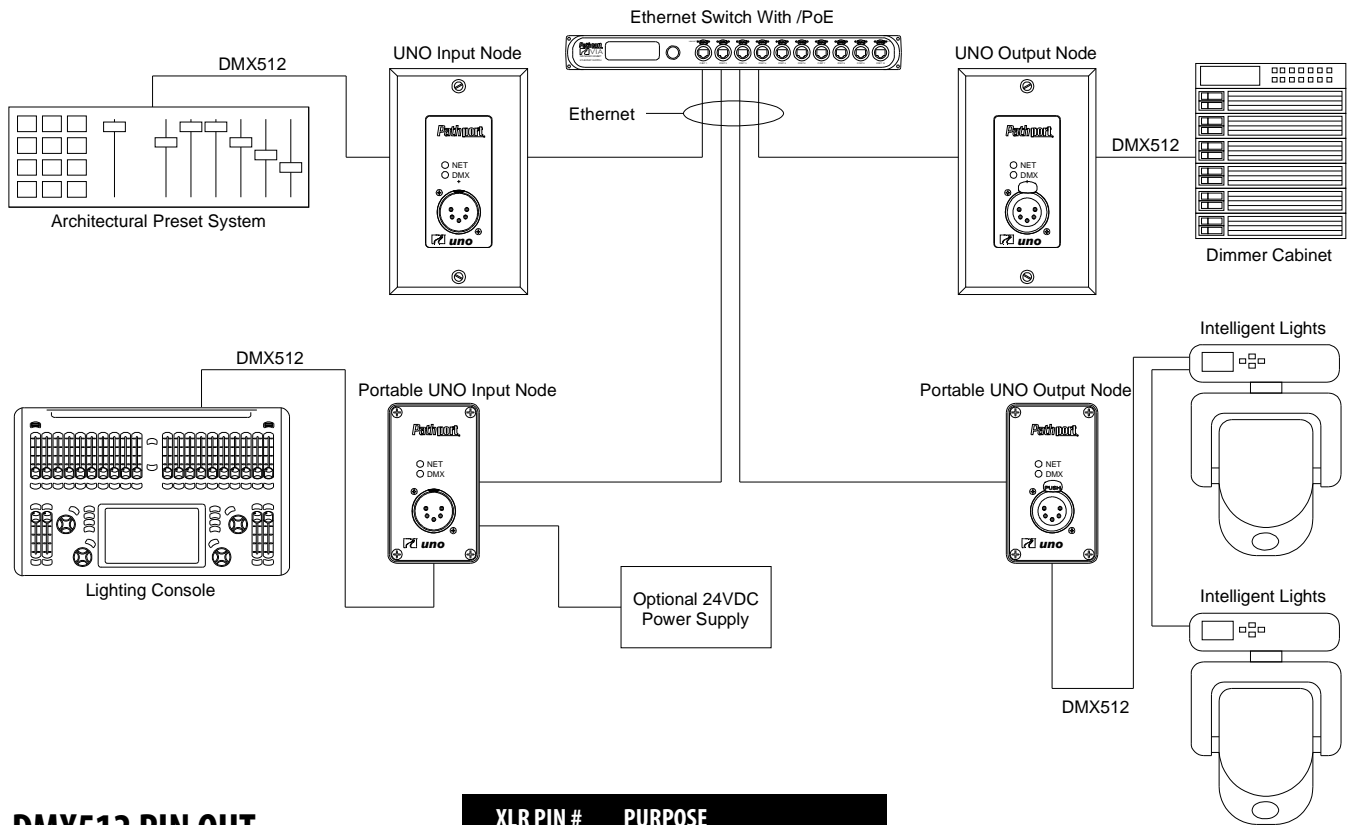
**MODEL 6152 w/ BRACKET**



**MODEL 6151**



## APPLICATION RISER



## DMX512 PIN OUT

XLR PIN #	PURPOSE
1	Shield/COM
2	Data - (complement)
3	Data + (true)
4	Data - (pair 2 complement)
5	Data + (pair 2 true)

## ORDERING INFORMATION

PART #	DESCRIPTION
6101 BL/SS	Pathport UNO One Port Input Node w/ faceplate—use extension to specify color finish
6102 BL/SS	Pathport UNO One Port Output Node w/ faceplate—use extension to specify color finish
6151	Pathport Portable UNO One Port Input Node c/w hanging bracket
6152	Pathport Portable UNO One Port Output Node c/w hanging bracket

ACCESSORIES	
6901	Surface Mount Enclosure for C-Series nodes, comes with knockouts
6001	In-line Power-over-Ethernet Injector for Pathport nodes