

RJ45 FEMALE ETHERNET CONNECTOR

# 6201 DUAL INPUT

6201 PATHPORT C-SERIES TWO INPUT NODE

FILENAME: 1004 EDIN DEMUX REV4.DWG

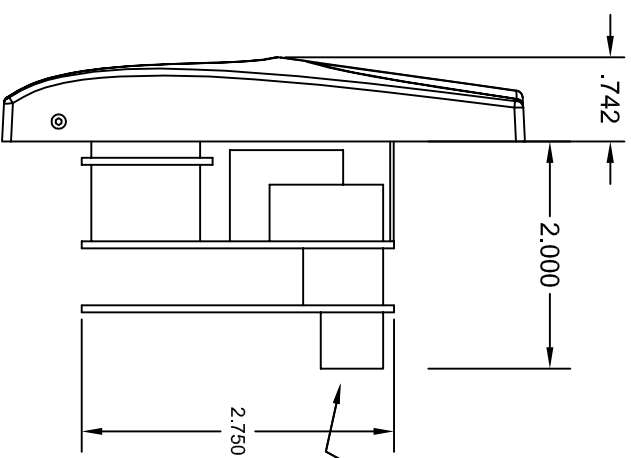
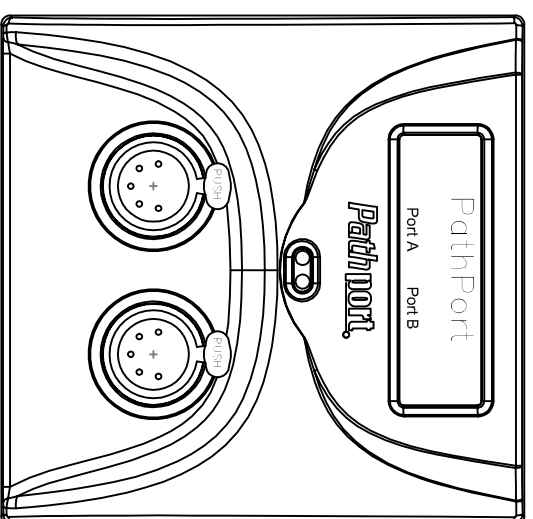
PART NUMBER: 6201



**Pathway Connectivity**  
 103 Inglewood Plaza, 1439 17th Avenue SE  
 Calgary, Alberta, Canada T2G 1J9  
 Phone: +1(403)243-8110 Fax: +1(403)287-1281  
<http://www.pathwayconnect.com>

DRAWN BY:	BRIAN F. EVANS
DATE:	11/20/2015
CHECKED:	ROBERT ARMSTRONG
SCALE:	NTS
UNITS:	INCHES [mm]





RJ45 FEMALE ETHERNET CONNECTOR

# 6202 DUAL OUTPUT

6202 PATHPORT C-SERIES TWO PORT OUTPUT NODE

FILENAME: 1004 EDIN DEMUX REV4.DWG

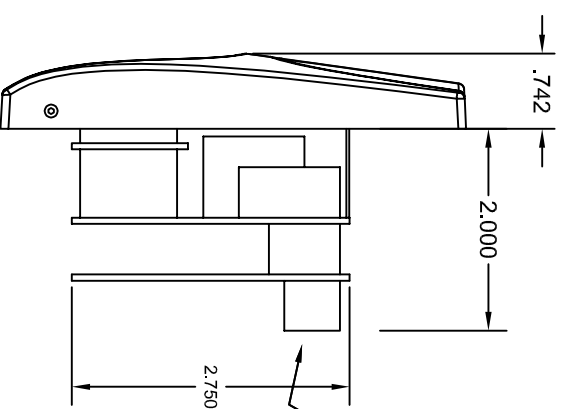
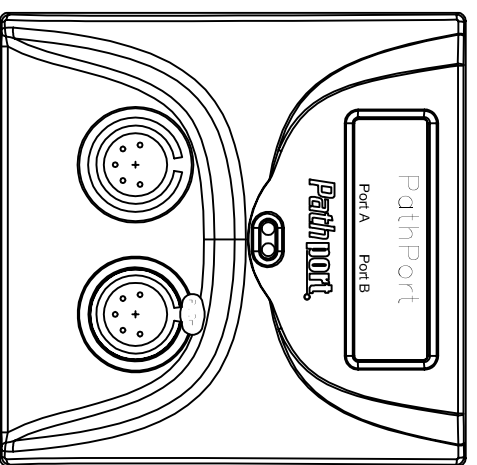
PART NUMBER: 6202



**Pathway Connectivity**  
 103 Inglewood Plaza, 1439 17th Avenue SE  
 Calgary, Alberta, Canada T2G 1J9  
 Phone: +1(403)243-8110 Fax: +1(403)287-1281  
<http://www.pathwayconnect.com>

DRAWN BY:	BRIAN F. EVANS
DATE:	11/20/2015
CHECKED:	ROBERT ARMSTRONG
SCALE:	NTS
UNITS:	INCHES [mm]





RJ45 FEMALE ETHERNET CONNECTOR

# 6203 INPUT/OUTPUT

6203 PATHPORT C-SERIES TWO PORT I/O NODE

FILENAME: 1004 EDIN DEMUX REV4.DWG

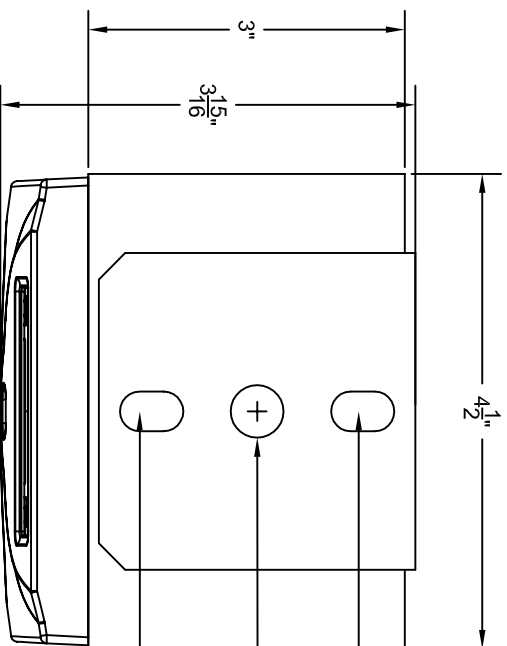
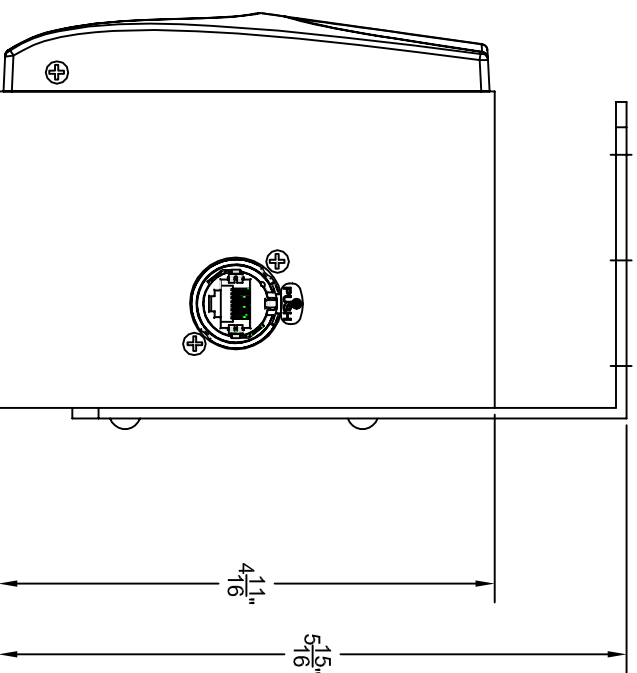
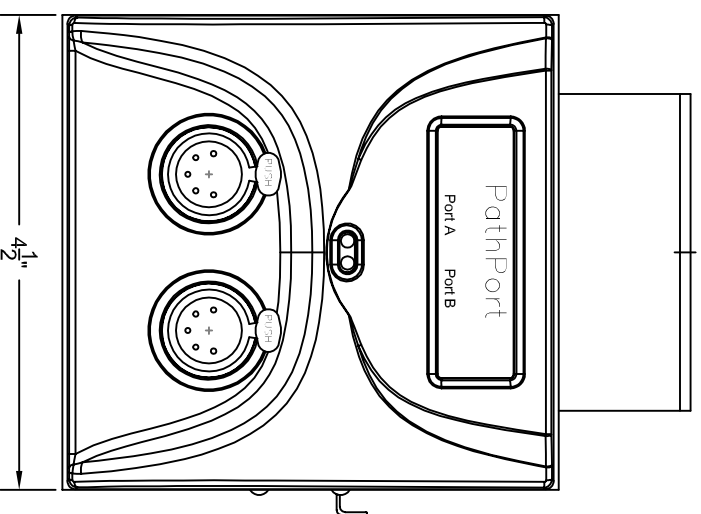
PART NUMBER: 6203



**Pathway Connectivity**  
 103 Inglewood Plaza, 1439 17th Avenue SE  
 Calgary, Alberta, Canada T2G 1J9  
 Phone: +1(403)243-8110 Fax: +1(403)287-1281  
<http://www.pathwayconnect.com>

DRAWN BY:	BRIAN F. EVANS
DATE:	11/20/2015
CHECKED:	ROBERT ARMSTRONG
SCALE:	NTS
UNITS:	INCHES [mm]





- 0.375 x 0.600  
FOR SADDLECLAMP (U-BOLT)
- Ø 1" C-CLAMP HOLE  
Ø 2 DIAMETER
- 0.375 x 0.600  
FOR SADDLECLAMP (U-BOLT)

# 6911 PORTABLE ENCLOSURE

6911 PORTABLE/HANGING BRACKET FOR C-SERIES

FILENAME: 1004 EDIN DEMUX REV4.DWG

PART NUMBER: 6911



**Pathway Connectivity**  
 103 Inglewood Plaza, 1439 17th Avenue SE  
 Calgary, Alberta, Canada T2G 1J9  
 Phone: +1(403)243-8110 Fax: +1(403)287-1281  
<http://www.pathwayconnect.com>

DRAWN BY:	BRIAN F. EVANS
DATE:	11/20/2015
CHECKED:	ROBERT ARMSTRONG
SCALE:	NTS
UNITS:	INCHES [mm]

