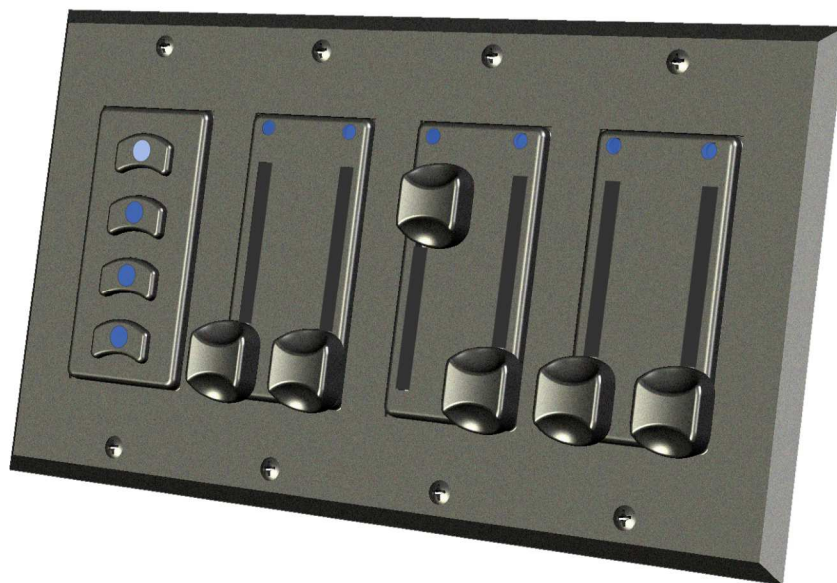


NETWORKED SLIDERS AND BUTTONS

CHOREO NSB™



PRODUCT OVERVIEW

Choreo NSB™ is a system of modular button and slider wall station inserts that are fully compatible with Cognito² and Choreo lighting control platforms. Design the wall station needed, from single-gang up to six-gang. Ethernet-based, any button or slide may be associated with Memories recorded in a Cognito² or Choreo.

FEATURES

- Attractive Decorator-style design in white or black, compatible with Pathway Connectivity or third-party faceplates
- Master/slave inserts available as single or double sliders, or as two or four buttons
- Ethernet wiring topology
- Master inserts run on Power-over-Ethernet; slave inserts simply plug into the master to create the layout desired
- Associate buttons and sliders with Memories recorded on a Cognito² or Choreo controller on the same network
- Button behavior mimics Memory's recorded button actions
- Discovery and configuration from within Cognito² or Choreo
- Available for shipping November 2016

SPECIFICATIONS

- PoE Class 2
- 7.5 watts maximum power consumption per station
- Operating Conditions: 32°F-105°F (0°C to 40°C); 10-90% relative humidity, non-condensing

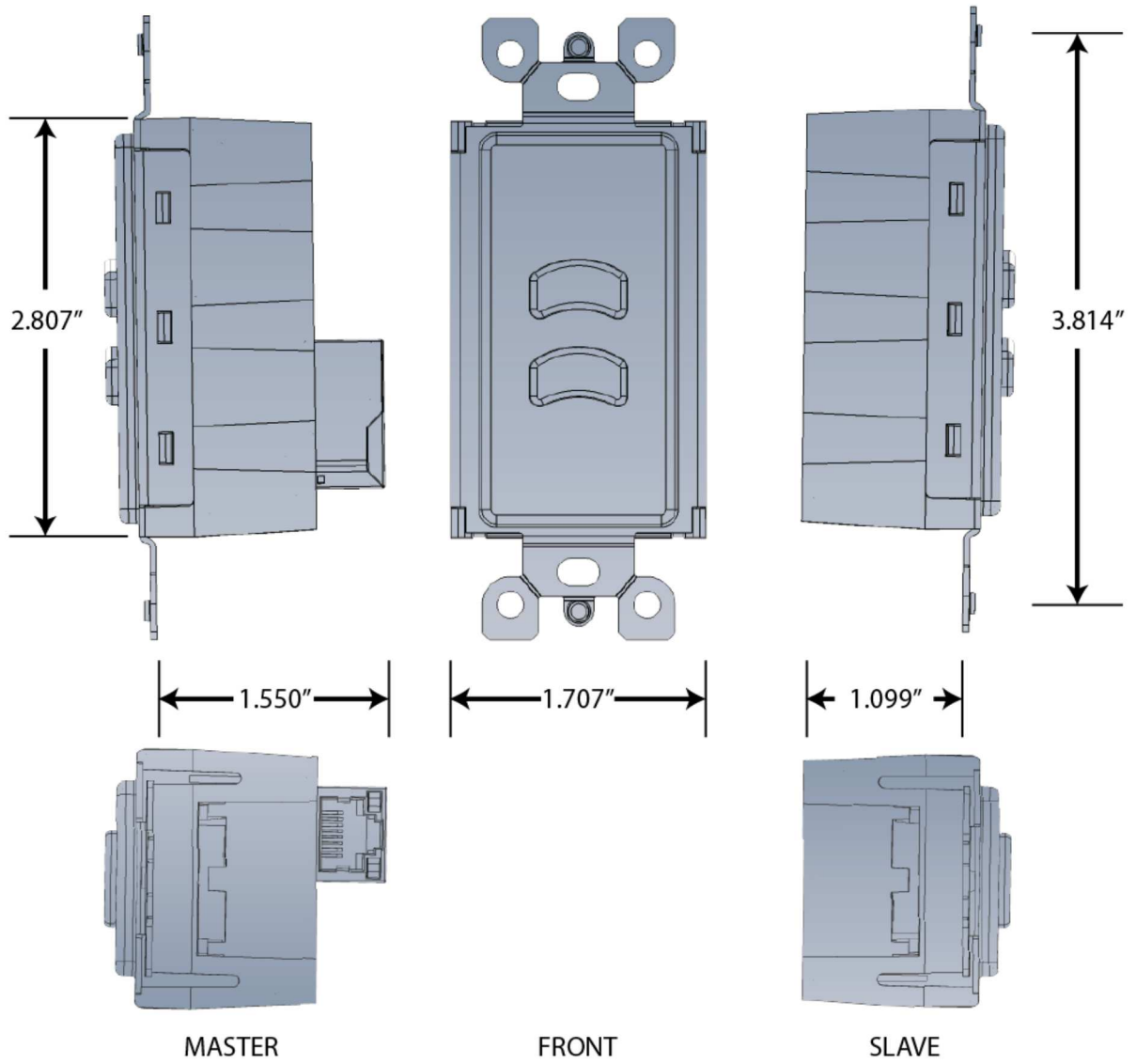
STANDARDS COMPLIANCE

- ANSI E1.11 DMX512-A
- ANSI E1.31 streaming ACN
- IEEE 802.3AF Power-over-Ethernet
- RoHS 2002/95/EC

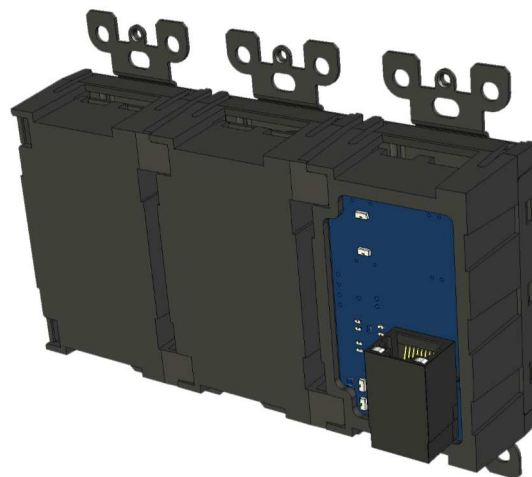
WEIGHTS AND DIMENSIONS

- 0.5 lbs (0.225 kg) [per insert]
- 1.75"W x 1.6"D x 4"H (45mm x 40mm x 102mm) [Master]

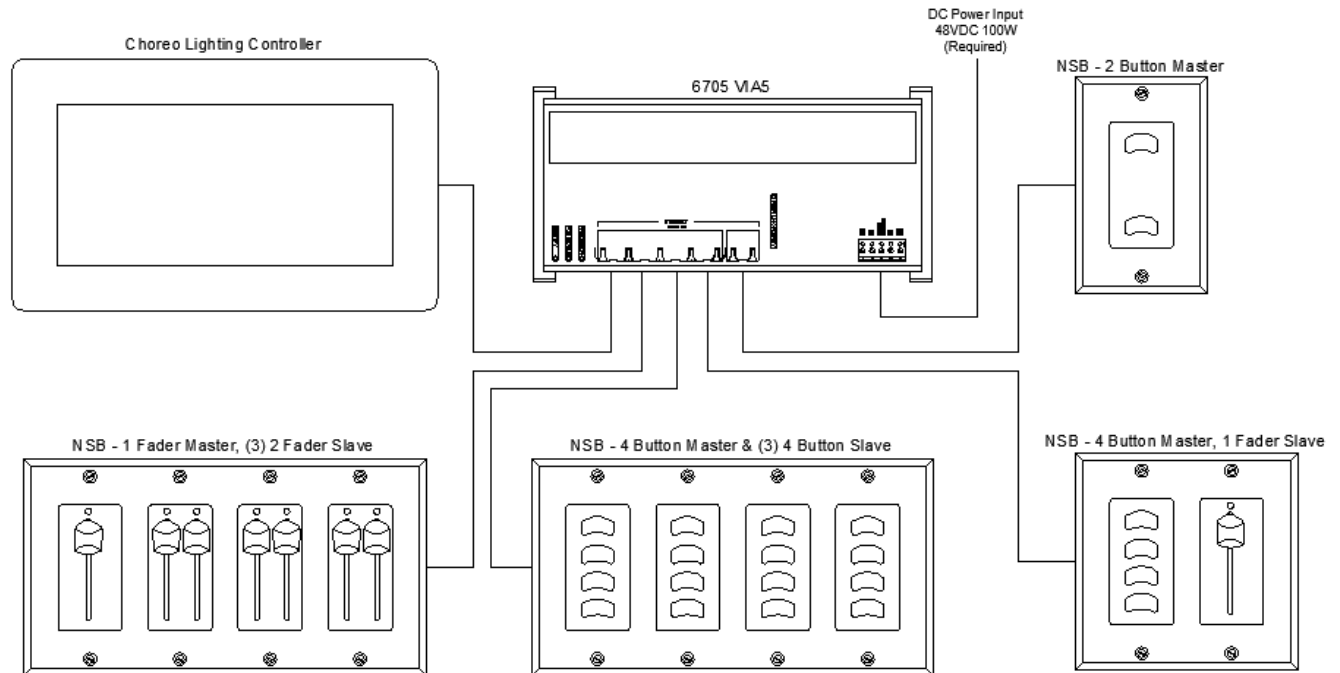
DIMENSIONS



REAR VIEW OF ASSEMBLY



APPLICATION RISER



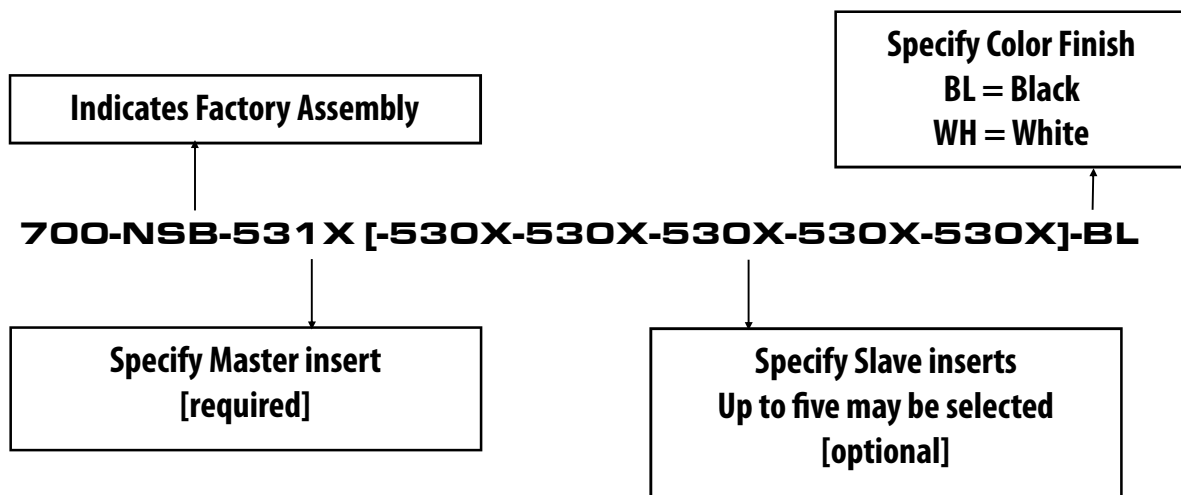
ORDERING INFORMATION



PART #	DESCRIPTION
700-5301 BL/WH	Two Button Slave Station Insert
700-5302 BL/WH	Four Button Slave Station Insert
700-5303 BL/WH	One Slider Slave Insert
700-5304 BL/WH	Two Slider Slave Insert
700-5311 BL/WH	Two Button Master Insert
700-5312 BL/WH	Four Button Master Insert
700-5313 BL/WH	One Slider Master Insert
700-5314 BL/WH	Two Slider Master Insert
5001 BL/WH	Faceplate, One Gang
5002 BL/WH	Faceplate, Two Gang
5003 BL/WH	Faceplate, Three Gang
5004 BL/WH	Faceplate, Four Gang
5005 BL/WH	Faceplate, Five Gang
5006 BL/WH	Faceplate, Six Gang

ORDERING LOGIC

System Requirements: Completed assemblies must be connected to a Choreo or Cognito through a PoE-enabled Ethernet switch such as Pathway VIA models. Wiring must conform to IEEE standards for Ethernet. Pathway cannot provide printing or engraving services.



INSERT NUMBERS	DESCRIPTION
5301	Two Button Slave Station Insert
5302	Four Button Slave Station Insert
5303	One Slider Slave Insert
5304	Two Slider Slave Insert
5311	Two Button Master Insert
5312	Four Button Master Insert
5313	One Slider Master Insert
5314	Two Slider Master Insert

EXAMPLES

700—NSB—5312—5302—5303—BL

Description: Eight button station (2 x four button insert) with grandmaster fader, factory assembled, comes with three gang faceplate. Black finish.

700—NSB—5311—5304—5303—BL

Description: Two button and two fader station with grandmaster fader, factory assembled, comes with three gang faceplate. Black finish.

700—NSB—5314—5304—BL

Description: Four fader station (2 x two fader insert), factory assembled, comes with two gang faceplate. Black finish.

